

GLOBAL
mag[®]

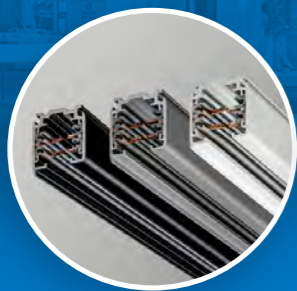
REX**LiTE**[®]

2020
ISSUE

— 2020 © FISHBONE Design D03 —

GLOBAL trac[®]

The Market Leader and
Pioneer in Professional
Track Lighting Solutions



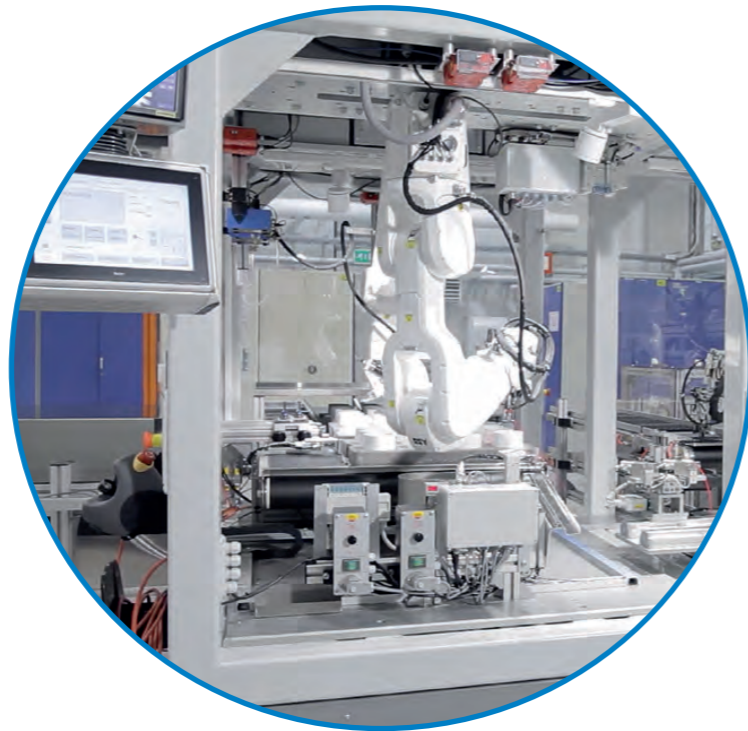
NORDIC ALUMINIUM

LIVAL GROUP

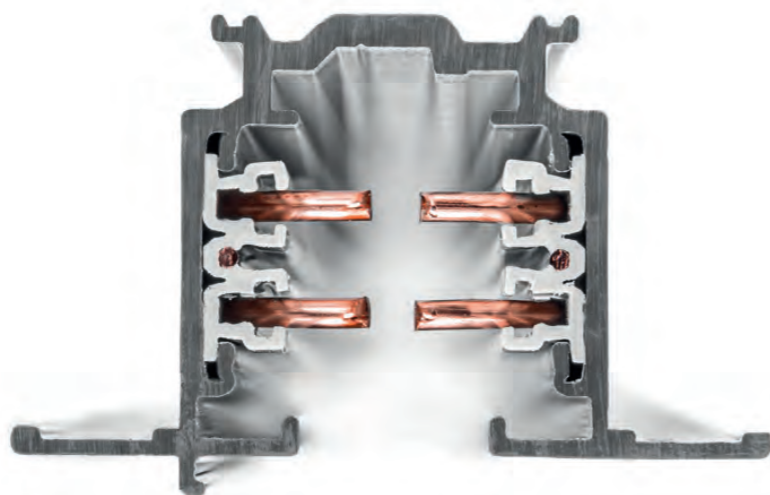
GLOBAL Trac Pro 歐規三迴路軌道與配件
GLOBAL Trac Base 兩線單迴路軌道與配件
GLOBAL Trac Pulse 歐規調光軌道與配件

2020 © FISHBONE Design D03

GLOBAL trac[®]



The Market Leader
and Pioneer in
Professional Track
Lighting Solutions



GLOBAL trac

THE EASY WAY TO
BUILD UP YOUR
RETAIL LIGHTING

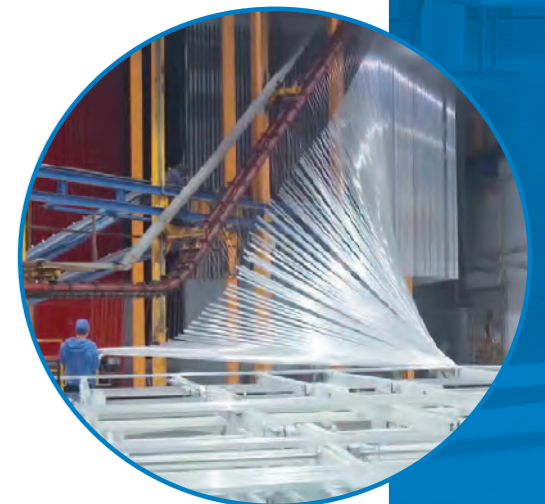
Our highly automated, state-of-the-art factories **in Finland** help us match customer demand at all times and guarantee, that we can manufacture and deliver a comprehensive portfolio of electrotechnical solutions quickly and cost-effectively.

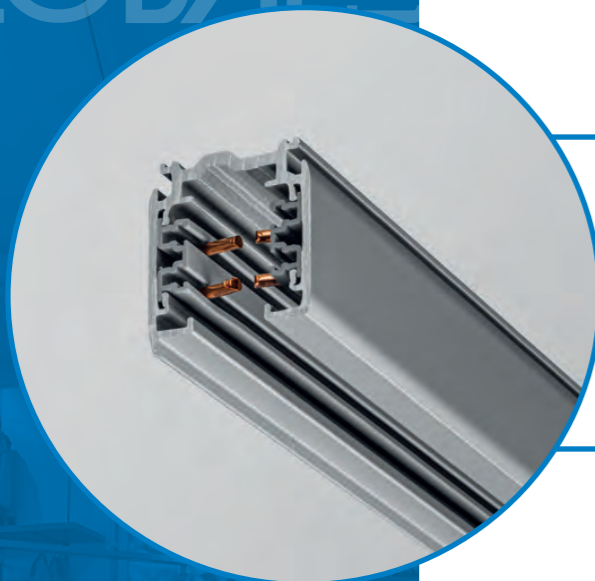
With capacity for lighting tracks exceeding 5 million meters annually, Nordic Aluminium today has a position as a globally leading manufacturer.

GLOBAL trac is a registered trademark of Nordic Aluminium.

NORDIC  ALUMINIUM
LIVAL GROUP

www.nordicaluminium.fi

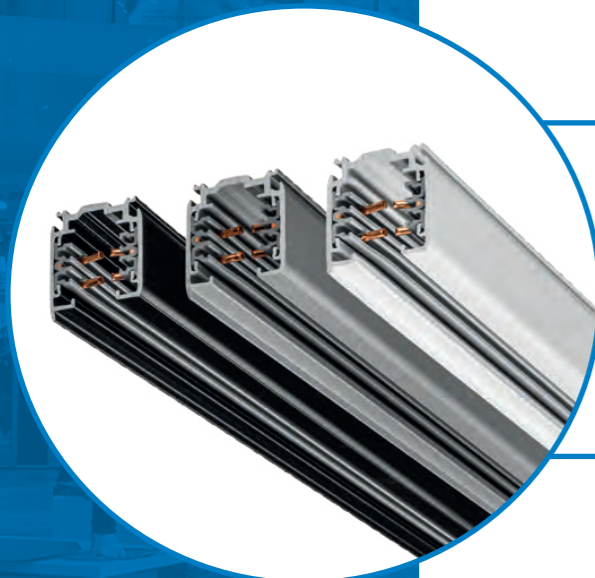




GLOBAL Trac Pro

L1/L2/L3/neutral/ground
16 A/400 V. IP20

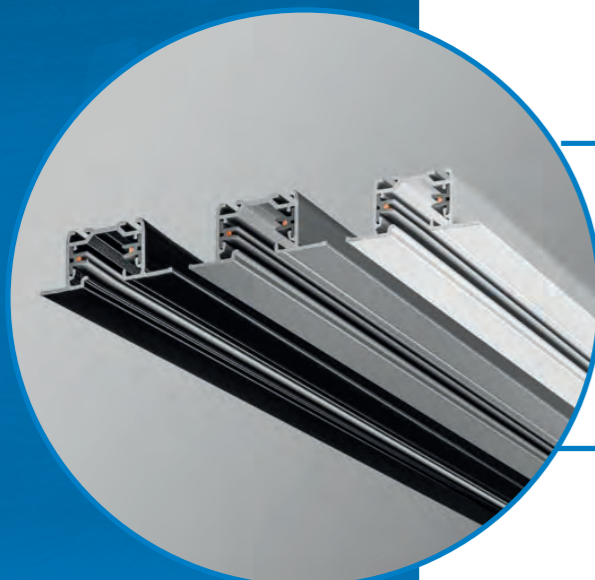
pages 6-9



GLOBAL Trac Pulse control

L1/L2/L3/neutral/ground 16 A/400 V
+ control 2 x 1 A/50 FELV AC DALI (FELV),
KNX, LON, EIB, 1-10 V etc. compatible

pages 10-13



GLOBAL Trac Base

L1/16 A/230 V. IP20

pages 14-17



GLOBAL Trac Suspension parts

GLOBAL Trac Pro, GLOBAL Pulse control,
GLOBAL Trac Base

pages 18-25



GLOBAL Trac Adapters & In-Track Adapter-Drivers

Compatible with variety of track systems
available in the market

pages 26-35

First on the market



GLOBAL Trac Spot & Flood Lights Linear LED Lights

pages 38-39

GLOBAL Trac Pro

GLOBAL Trac Pro is the most sold three-circuit lighting track system in the world. It is the quality choice of professionals and lighting manufacturers. Long experience and 100% quality assurance ensure problem-free operation.

GLOBAL Trac Pro's **high load capacity** and circuit-specific control option can be used in various spaces, including shops, department stores, public buildings, restaurants, airports and offices.

Easy to extend

The modular structure of the system makes it easy to extend and adapt to various needs. Modular dimensions help designers fit the system into the appropriate space and also make on-site mounting easier. **Reliable connectors ensure fast and easy installation** resulting in overall cost savings.



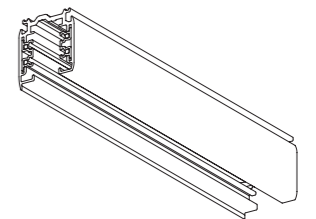
GLOBAL Trac Pro

Available colours: -1 Global grey, -2 black (RAL 9005), -3 white (RAL 9016).

Surface Mounted Tracks:

Purchase Code	Type	EAN code	Length (mm)	Colour	PCS/Package
KKT301144	XTS 4100-1	6410014500566	1000	Grey	4/240
KKT301152	XTS 4100-2	6410014506018	1000	Black	4/240
KKT301158	XTS 4100-3	6410014507060	1000	White	4/240
KKT301171	XTS 4200-1	6410014500597	2000	Grey	4/240
KKT301179	XTS 4200-2	6410014506025	2000	Black	4/240
KKT301185	XTS 4200-3	6410014507077	2000	White	4/240
KKT301111	XTS 4300-1	6410014500856	3000	Grey	4/240
KKT301119	XTS 4300-2	6410014506032	3000	Black	4/240
KKT301115	XTS 4300-3	6410014507084	3000	White	4/240
KKT301124	XTS 4400-1	6410014500863	4000	Grey	4/240
KKT301131	XTS 4400-2	6410014506049	4000	Black	4/240
KKT301136	XTS 4400-3	6410014507091	4000	White	4/240

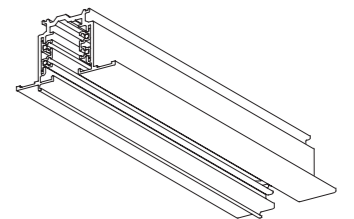
XTS 4100-4400 Surface



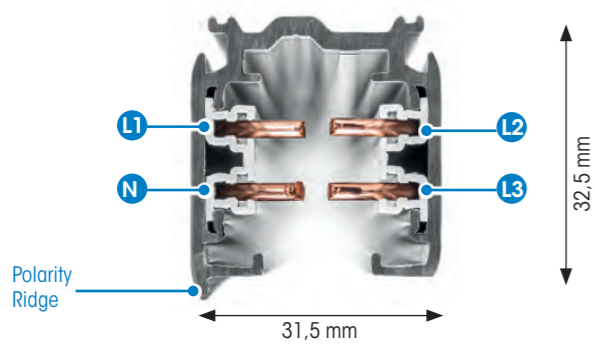
Recessed Tracks:

Purchase Code	Type	EAN code	Length (mm)	Colour	PCS/Package
KKT301194	XTSF 4100-1	6410014500870	1000	Grey	6/180
KKT3011100	XTSF 4100-2	6410014506513	1000	Black	6/180
KKT3011105	XTSF 4100-3	6410014507565	1000	White	6/180
KKT3011111	XTSF 4200-1	6410014500597	2000	Grey	6/180
KKT3011118	XTSF 4200-2	6410014506520	2000	Black	6/180
KKT3011123	XTSF 4200-3	6410014507572	2000	White	6/180
KKT3011130	XTSF 4300-1	6410014500894	3000	Grey	6/180
KKT3011137	XTSF 4300-2	6410014506537	3000	Black	6/180
KKT3011142	XTSF 4300-3	6410014507589	3000	White	6/180

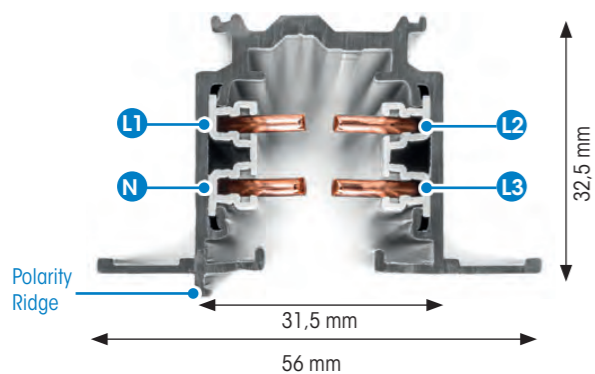
XTSF 4100-4300 Recessed



XTS Surface

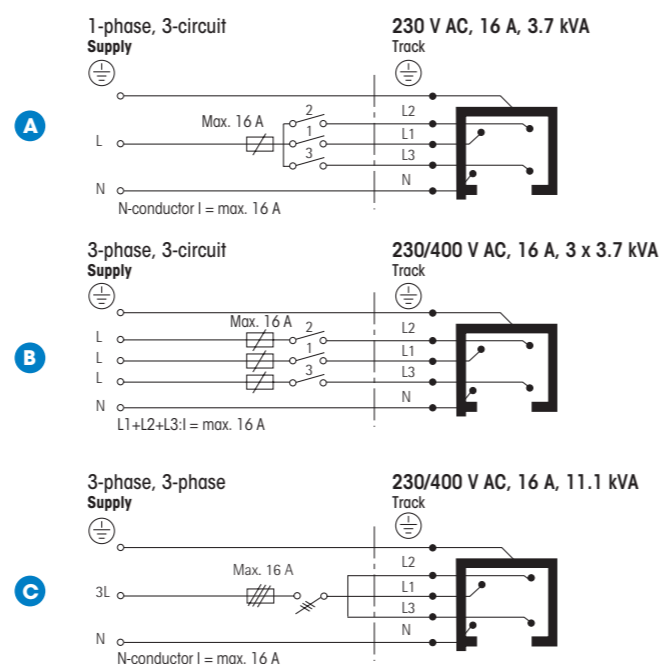


XTSF Recessed



GLOBAL Trac Pro

Power Conductor Cross-Section: 4,0mm²



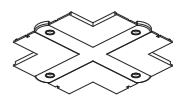
Recessed Track Accessories:

Purchase Code	Type	EAN code	Accessories	Colour	PCS/Package
KKT3011101	XTSF 10-1	6410014500412	Cover plate: XTS11-14	Grey	1/100
KKT3012180	XTSF 10-2	6410014506612	Cover plate: XTS11-14	Black	1/100
KKT3012183	XTSF 10-3	6410014507619	Cover plate: XTS11-14	White	1/100
KKT3011124	XTSF 30-1	6410014500429	Cover plate: XTS34-40	Grey	1/100
KKT3012186	XTSF 30-2	6410014506629	Cover plate: XTS34-40	Black	1/100
KKT3012189	XTSF 30-3	6410014507626	Cover plate: XTS34-40	White	1/100

Cover plates XTSF 10



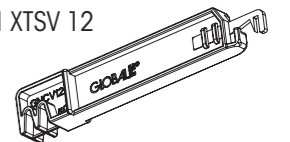
XTSF 30



Bending tool for track power wires:

Purchase Code	Type	EAN code	Colour	PCS/Package
KKT30155	XTSV12	6410014500993	Blue	1/100

Tool XTSV 12



Cover strip for track opening:

Purchase Code	Type	EAN code	Length	Colour	PCS/Package
KKT30152	XTSP11-2	6410014530990	Length 3000mm	Black	10/100
KKT30151	XTSP11-3	6410014530983	Length 3000mm	White	10/100

Cover strip XTSP 11



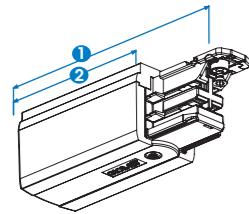
● Markets Strongest Power Carrying Track System - High Load Capacity

GLOBAL Trac Pro Accessories

All materials used are halogen free and VO-self-extinguishing.
Available colors: -1 grey (RAL 7040), -2 black (RAL 9005), -3 white (RAL 9016).

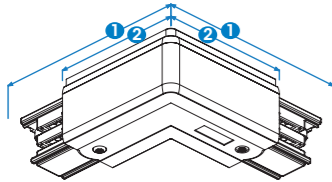
End feed XTS 11, 12

1. 105 mm, 2. 66 mm



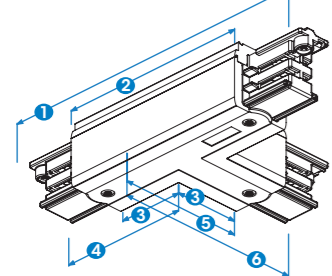
L-feed XTS 34, 35

1. 99 mm, 2. 66 mm



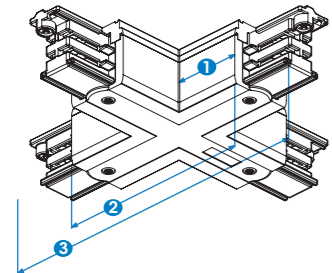
T-feed XTS 36, 37, 39, 40

1. 166 mm, 2. 100 mm, 3. 34 mm
4. 67 mm, 5. 66 mm, 6. 99 mm



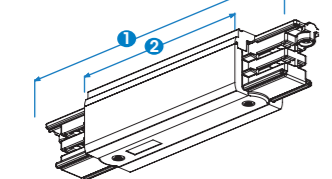
X-feed XTS 38

1. 34 mm, 2. 100 mm, 3. 166 mm



Middle feed XTS 14

1. 166 mm, 2. 100 mm



End Feeds:

Purchase Code	Type	EAN code	Polarity Ridge	Colour	PCS/ Package
KKT30122	XTS11-1	6410014507152		Grey	1/100
KKT30123	XTS11-2	6410014506117		Black	1/100
KKT30129	XTS11-3	6410014507114		White	1/100
KKT301218	XTS12-1	6410014507169		Grey	1/100
KKT301219	XTS12-2	6410014506124		Black	1/100
KKT301224	XTS12-3	6410014507121		White	1/100

Connectors with Power Supply Option:

Purchase Code	Type	EAN code	Polarity Ridge	Colour	PCS/ Package
KKT301283	XTS34-1	6410014507251		Grey	1/25
KKT301284	XTS34-2	6410014506346		Black	1/25
KKT301289	XTS34-3	6410014507343		White	1/25
KKT301296	XTS35-1	6410014507268		Grey	1/25
KKT301297	XTS35-2	6410014506353		Black	1/25
KKT3012102	XTS35-3	6410014507350		White	1/25

Purchase Code	Type	EAN code	Polarity Ridge	Colour	PCS/ Package
KKT3012109	XTS36-1	6410014507275		Grey	1/25
KKT3012110	XTS36-2	6410014506360		Black	1/25
KKT3012115	XTS36-3	6410014507367		White	1/25
KKT3012122	XTS37-1	6410014507282		Grey	1/25
KKT3012123	XTS37-2	6410014506377		Black	1/25
KKT3012127	XTS37-3	6410014507374		White	1/25
KKT3012144	XTS39-1	6410014507305		Grey	1/25
KKT3012145	XTS39-2	6410014506391		Black	1/25
KKT3012149	XTS39-3	6410014507398		White	1/25
KKT3012156	XTS40-1	6410014507312		Grey	1/25
KKT3012157	XTS40-2	6410014506407		Black	1/25
KKT3012161	XTS40-3	6410014507404		White	1/25

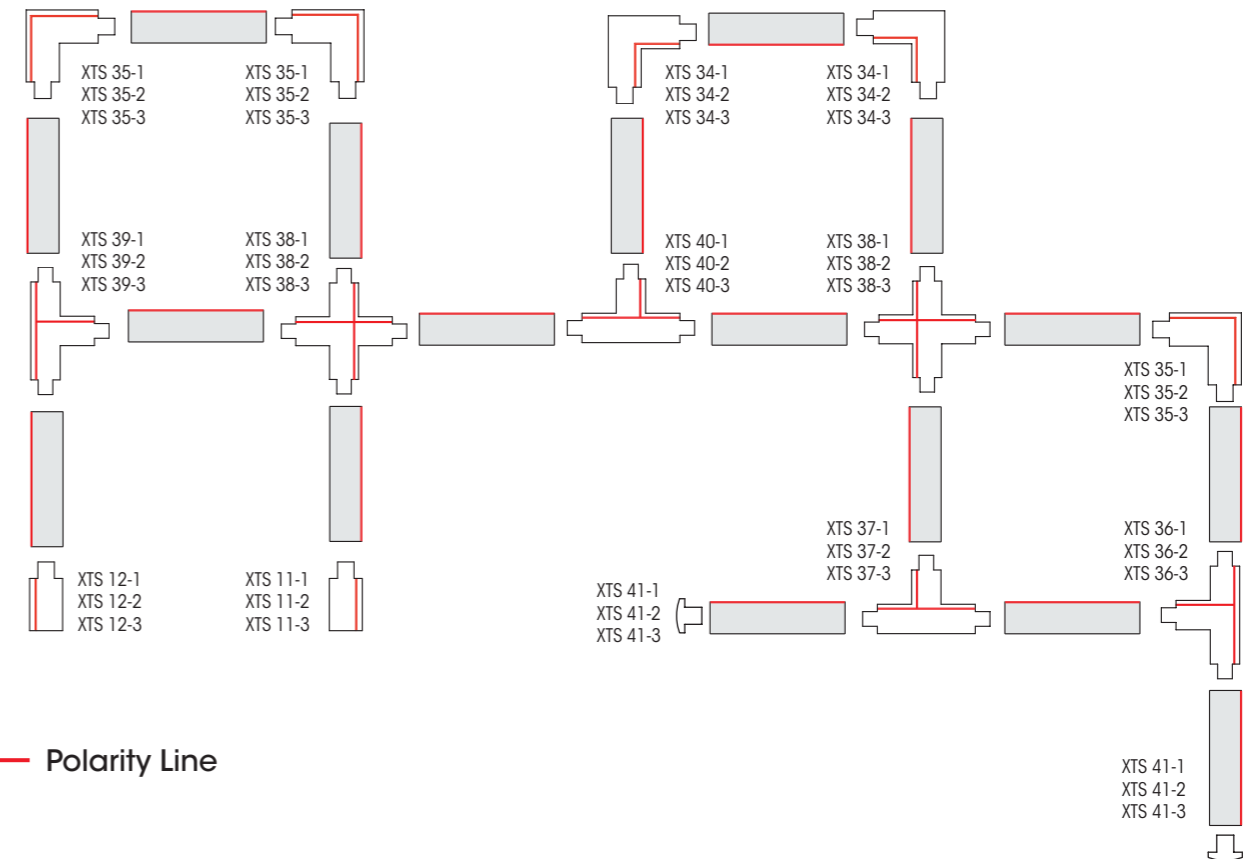
Purchase Code	Type	EAN code	Polarity Ridge	Colour	PCS/ Package
KKT3012131	XTS38-1	6410014507299		Grey	1/25
KKT3012132	XTS38-2	6410014506384		Black	1/25
KKT3012136	XTS38-3	6410014507381		White	1/25

Purchase Code	Type	EAN code	Colour	PCS/ Package
KKT301232	XTS14-1	6410014507176	Grey	1/50
KKT301233	XTS14-2	6410014506148	Black	1/50
KKT301233	XTS14-3	6410014507145	White	1/50

● *Reliable Connectors with Minimal Voltage Drop*

Polarity in Trac Pro

Use of L-, T- and X- Feed. Red line indicates polarity ridge



— Polarity Line

Connectors without option for power supply:

Purchase Code	Type	EAN code	Colour	PCS/ Package
KKT301245	XTS21-1	6410014507183	Grey	1/100
KKT301246	XTS21-2	6410014506216	Black	1/100
KKT301253	XTS21-3	6410014507213	White	1/100

Purchase Code	Type	EAN code	Colour	PCS/ Package
KKT301260	XTS23-1	6410014507206	Grey	1/25
KKT301261	XTS23-2	6410014506230	Black	1/25
KKT301265	XTS23-3	6410014507237	White	1/25

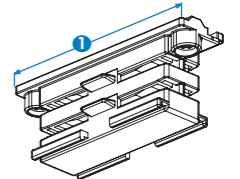
Purchase Code	Type	EAN code	Colour	PCS/ Package
KKT301271	XTS24-1	6410014507190	Grey	1/25
KKT301272	XTS24-2	6410014506247	Black	1/25
KKT301276	XTS24-3	6410014507244	White	1/25

End Cap:

Purchase Code	Type	EAN code	Colour	PCS/ Package
KKT3012165	XTS41-1	6410014507329	Grey	1/100
KKT3012166	XTS41-2	6410014506414	Black	1/100
KKT3012172	XTS41-3	6410014507411	White	1/100

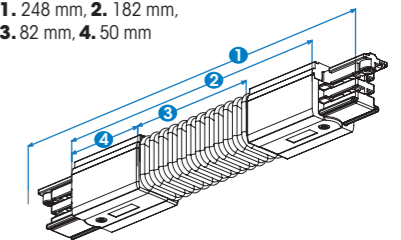
Straight connector XTS 21

1. 68 mm



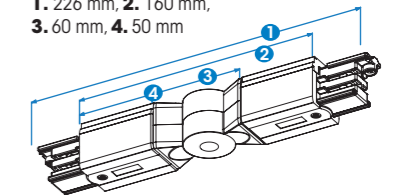
Flexible corner connector XTS 23

1. 248 mm, 2. 182 mm,
3. 82 mm, 4. 50 mm



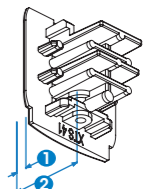
Adjustable corner connector XTS 24

1. 226 mm, 2. 160 mm,
3. 60 mm, 4. 50 mm



End cap XTS 41

1. 3 mm, 2. 21 mm



GLOBAL Trac Pulse control

GLOBAL Trac Pulse control is a lighting track system that includes both normal input voltage and wires for transmitting the control signal to the lights.

This makes it possible to use smart control systems like DALI, KNX, LON, and EIB without central units. Various manufacturers provide control units, detectors and fixtures for the control systems which all share the same goal: to transmit the control signal to individual lights using the GLOBAL Trac Pulse control's wires and to create dynamic lighting.

Needs-based lighting

Dynamic lighting means that the lighting changes according to the situation and need. Lights can be turned on and off, brightened or dimmed flexibly as separate groups. This also saves energy, because lights are only turned on where necessary.



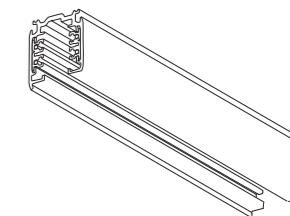
GLOBAL Trac Pulse control tracks

Available colours: -1 Global grey, -2 black (RAL 9005), -3 white (RAL 9016).

Surface Mounted Tracks:

Purchase Code	Type	EAN code	Length (mm)	Colour	PCS/Package
KKT30511	XTSC6100-1	6410014531423	1000	Grey	4/240
KKT30512	XTSC6100-2	6410014531430	1000	Black	4/240
KKT30513	XTSC6100-3	6410014531478	1000	White	4/240
KKT30521	XTSC6200-1	6410014531485	2000	Grey	4/240
KKT30522	XTSC6200-2	6410014531492	2000	Black	4/240
KKT30523	XTSC6200-3	6410014531508	2000	White	4/240
KKT30531	XTSC6300-1	6410014531515	3000	Grey	4/240
KKT30532	XTSC6300-2	6410014531522	3000	Black	4/240
KKT30533	XTSC6300-3	6410014531539	3000	White	4/240
KKT30541	XTSC6400-1	6410014531546	4000	Grey	4/240
KKT30542	XTSC6400-2	6410014531553	4000	Black	4/240
KKT30543	XTSC6400-3	6410014531560	4000	White	4/240

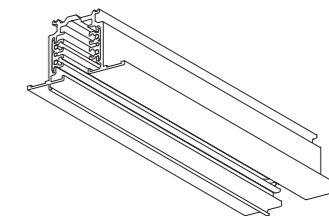
XTSC 6100-6400 Surface



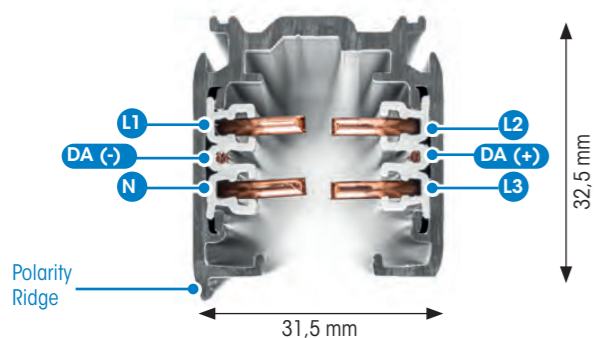
Recessed Tracks:

Purchase Code	Type	EAN code	Length (mm)	Colour	PCS/Package
KKT305011	XTSCF6100-1	6410014531577	1000	Grey	6/180
KKT305012	XTSCF6100-2	6410014531584	1000	Black	6/180
KKT305013	XTSCF6100-3	6410014531591	1000	White	6/180
KKT305021	XTSCF6200-1	6410014531607	2000	Grey	6/180
KKT305022	XTSCF6200-2	6410014531614	2000	Black	6/180
KKT305023	XTSCF6200-3	6410014531621	2000	White	6/180
KKT305031	XTSCF6300-1	6410014531638	3000	Grey	6/180
KKT305032	XTSCF6300-2	6410014531645	3000	Black	6/180
KKT305033	XTSCF6300-3	6410014531683	3000	White	6/180

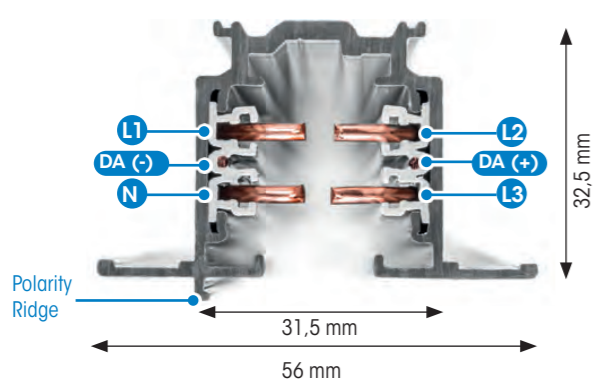
XTSCF 6100-6300 Recessed



XTSC Surface

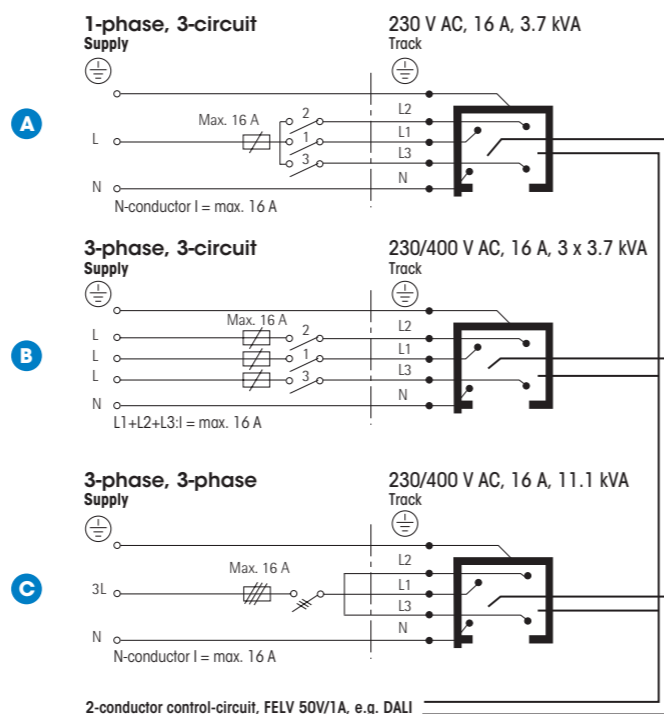


XTSCF Recessed



GLOBAL Trac Pulse control

Power Conductor Cross-Section: 4mm²
Control Conductor Cross-Section: 1,5mm²

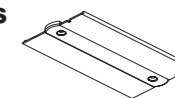


Control conductors, max 50V

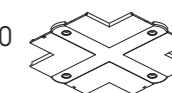
Recessed Track Accessories:

Purchase Code	Type	EAN code	Description	Colour	PCS/Package
KKT304101	XTSF610-1	6410014532772	Cover plate : XTSC611-614	Grey	1/100
KKT304102	XTSF610-2	6410014532802	Cover plate : XTSC611-614	Black	1/100
KKT304103	XTSF610-3	6410014532819	Cover plate : XTSC611-614	White	1/100
KKT304301	XTSF630-1	6410014532826	Cover plate : XTSC634-640	Grey	1/100
KKT304302	XTSF630-2	6410014532833	Cover plate : XTSC634-640	Black	1/100
KKT304303	XTSF630-3	6410014532840	Cover plate : XTSC634-640	White	1/100

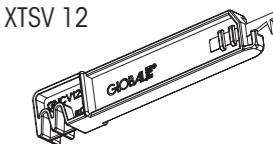
Cover plates XTSC 610



XTSF 630



Tool XTSV 12



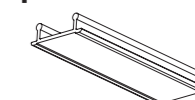
Bending tool for track power wires:

KKT30155	XTSV12	6410014500993		Blue	1/100
----------	--------	---------------	--	------	-------

Cover strip for track opening:

KKT30152	XTSP11-2	6410014530990	Length 3000mm	Black	10/100
KKT30151	XTSP11-3	6410014530983	Length 3000mm	White	10/100

Cover strip XTSP 11

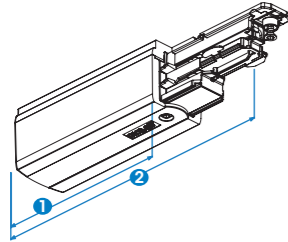


GLOBAL Trac Pulse control accessories

All materials are halogen free and VO self-extinguishing.
Available colours: -1 grey (RAL 7040), -2 black (RAL 9005), -3 white (RAL 9016).

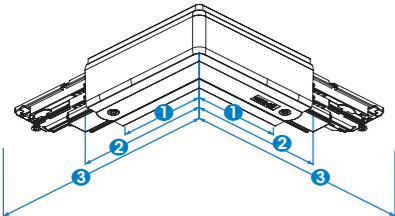
End feed XTSC 611, 612

1. 90 mm, 2. 155 mm



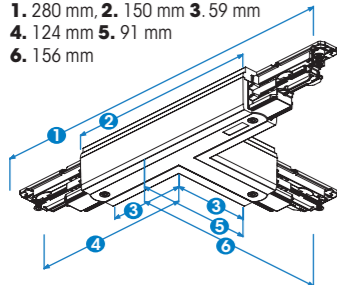
L-feed XTSNC 634, 635

1. 59 mm, 2. 91 mm 3. 156 mm



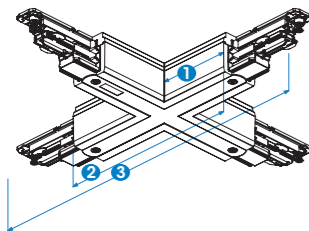
T-feed XTSNC 636, 637, 639, 640

1. 280 mm, 2. 150 mm 3. 59 mm
4. 124 mm 5. 91 mm
6. 156 mm



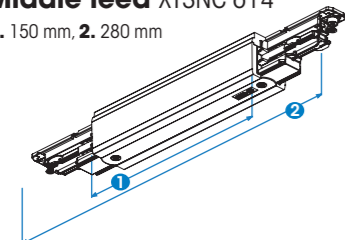
X-feed XTSNC 638

1. 59 mm, 2. 150 mm 3. 280 mm



Middle feed XTSNC 614

1. 150 mm, 2. 280 mm



End Feeds:

Purchase Code	Type	EAN code	Polarity Ridge	Colour	PCS/ Package
KKT305111	XTSC611-1	6410014532376		Grey	1/50
KKT305112	XTSC611-2	6410014532383		Black	1/50
KKT305113	XTSC611-3	6410014532390		White	1/50
KKT305121	XTSC612-1	6410014532406		Grey	1/50
KKT305122	XTSC612-2	6410014532413		Black	1/50
KKT305123	XTSC612-3	6410014532420		White	1/50

Connectors with Power Supply Option:

Purchase Code	Type	EAN code	Polarity Ridge	Colour	PCS/ Package
KKT3053412	XTSNC634-1	6410014501006		Grey	1/25
KKT3053422	XTSNC634-2	6410014501013		Black	1/25
KKT3053432	XTSNC634-3	6410014501020		White	1/25
KKT3053512	XTSNC635-1	6410014501037		Grey	1/25
KKT3053522	XTSNC635-2	6410014501044		Black	1/25
KKT3053532	XTSNC635-3	6410014501051		White	1/25

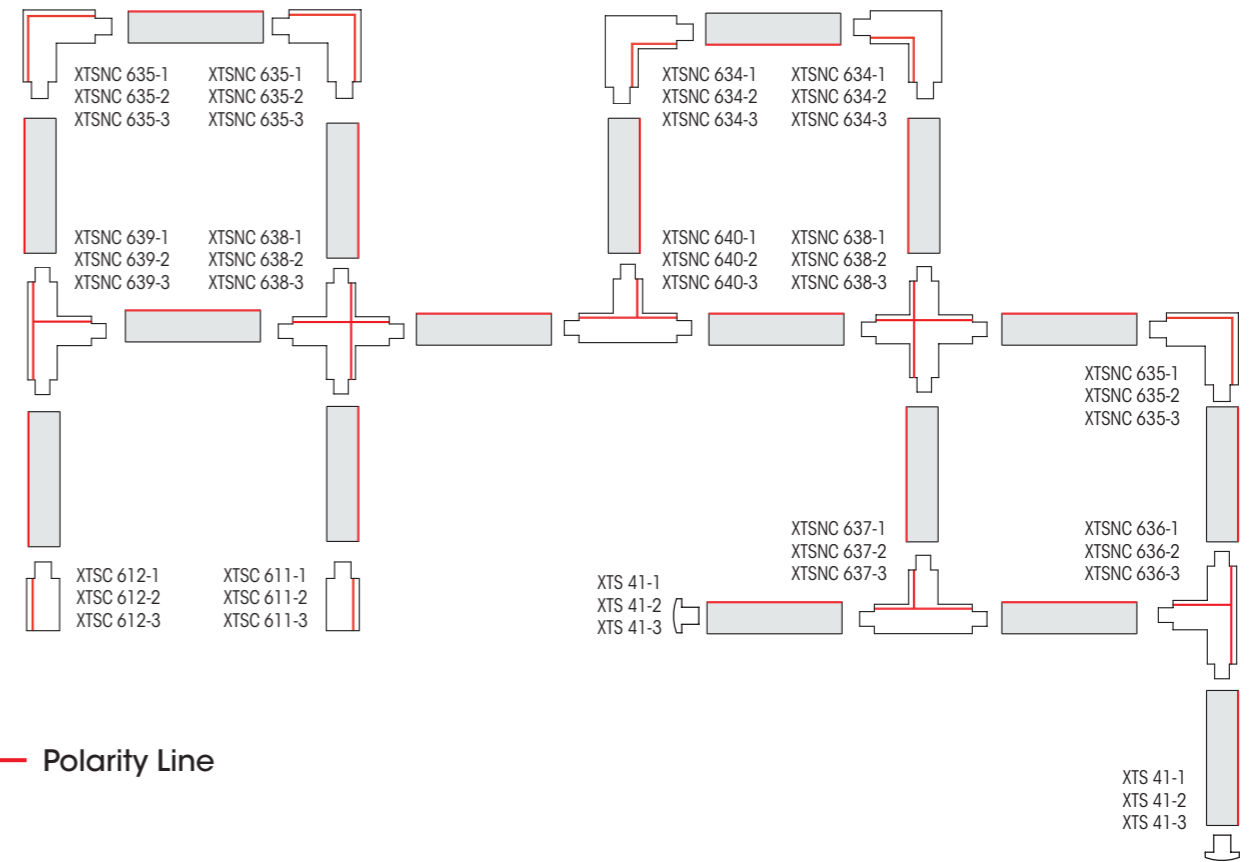
Purchase Code	Type	EAN code	Polarity Ridge	Colour	PCS/ Package
KKT3053612	XTSNC636-1	6410014501068		Grey	1/20
KKT3053622	XTSNC636-2	6410014501075		Black	1/20
KKT3053632	XTSNC636-3	6410014501082		White	1/20
KKT3053712	XTSNC637-1	6410014501099		Grey	1/20
KKT3053722	XTSNC637-2	6410014501105		Black	1/20
KKT3053732	XTSNC637-3	6410014501112		White	1/20
KKT3053912	XTSNC639-1	6410014501129		Grey	1/20
KKT3053922	XTSNC639-2	6410014501136		Black	1/20
KKT3053932	XTSNC639-3	6410014501143		White	1/20
KKT3054012	XTSNC640-1	6410014501150		Grey	1/20
KKT3054022	XTSNC640-2	6410014501167		Black	1/20
KKT3054032	XTSNC640-3	6410014501174		White	1/20

Purchase Code	Type	EAN code	Polarity Ridge	Colour	PCS/ Package
KKT3053812	XTSNC638-1	6410014501181		Grey	1/10
KKT3053822	XTSNC638-2	6410014501198		Black	1/10
KKT3053832	XTSNC638-3	6410014501204		White	1/10

Purchase Code	Type	EAN code	Colour	PCS/ Package
KKT3051412	XTSNC614-1	6410014501211	Grey	1/25
KKT3051422	XTSNC614-2	6410014501228	Black	1/25
KKT3051432	XTSNC614-3	6410014501235	White	1/25

Polarity in Trac Pulse

Use of L-, T- and X- Feed. Red line indicates polarity ridge



— Polarity Line

Connectors without option for power supply:

Purchase Code	Type	EAN code	Colour	PCS/ Package
KKT304211	XTSC621-1	6410014532109	Grey	1/100
KKT304212	XTSC621-2	6410014532116	Black	1/100
KKT304213	XTSC621-3	6410014532123	White	1/100

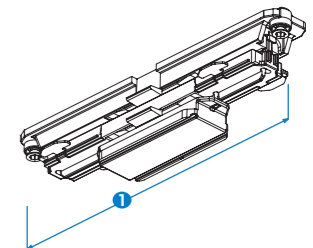
KKT305231	XTSC623-1	6410014532130	Grey	1/25
KKT305232	XTSC623-2	6410014532147	Black	1/25
KKT305233	XTSC623-3	6410014532154	White	1/25

End Cap:

KKT3012165	XTS41-1	6410014507329	Grey	1/100
KKT3012166	XTS41-2	6410014506414	Black	1/100
KKT3012172	XTS41-3	6410014507411	White	1/100

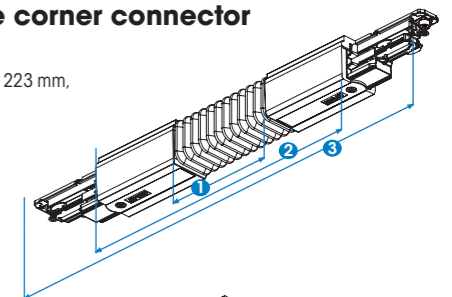
Straight connector

XTSC 621
1. 120 mm

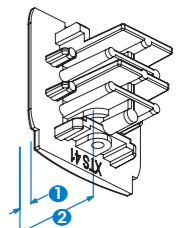


Flexible corner connector

XTSC 623
1. 82 mm, 2. 223 mm,
3. 353 mm

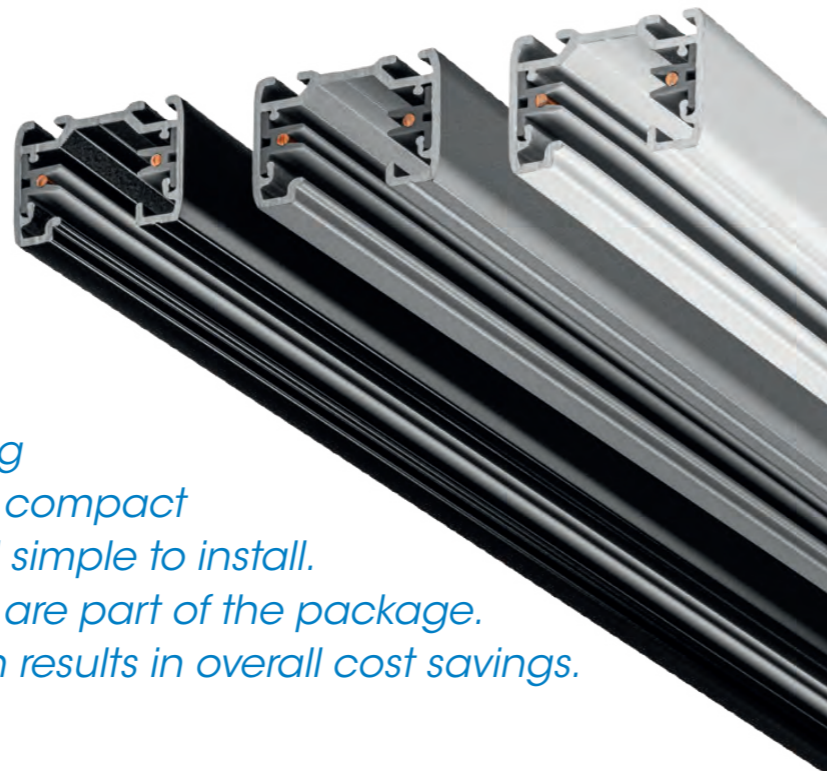


End cap XTS 41
1. 3 mm, 2. 21 mm



● Flexibility - Enabling Energy Savings

GLOBAL Trac Base



GLOBAL Trac Base is a compact, elegant looking one-circuit basic track. The compact track is light to handle and simple to install. Diverse installation options are part of the package. Quick and easy installation results in overall cost savings.

Wide area of use from homes to exhibition stands

GLOBAL Trac Base is for places where the discrete and elegant appearance of the one-circuit track is most useful: homes, shop windows and exhibition structures.

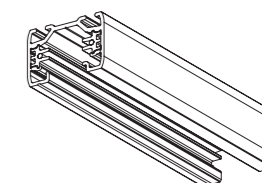
GLOBAL Trac Base Tracks

Available colours: -1 Global grey, -2 black (RAL 9005), -3 white (RAL 9016).

Surface Mounted Tracks:

Purchase Code	Type	EAN code	Length (mm)	Colour	PCS/Package
KKT30313	GB2100-1	6410014509019	1000	Grey	8/480
KKT30317	GB2100-2	6410014508012	1000	Black	8/480
KKT303111	GB2100-3	6410014509064	1000	White	8/480
KKT303121	GB2200-1	6410014509026	2000	Grey	8/480
KKT303125	GB2200-2	6410014508029	2000	Black	8/480
KKT303129	GB2200-3	6410014509071	2000	White	8/480
KKT303136	GB2300-1	6410014509033	3000	Grey	8/480
KKT303140	GB2300-2	6410014508036	3000	Black	8/480
KKT303144	GB2300-3	6410014509088	3000	White	8/480

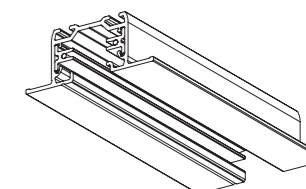
GB
2100-2300
Surface



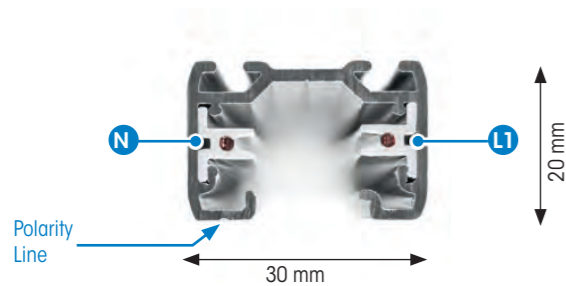
Recessed Tracks:

KKT303169	GBF2100-1	6410014509866	1000	Grey	6/180
KKT303172	GBF2100-2	6410014508913	1000	Black	6/180
KKT303174	GBF2100-3	6410014509910	1000	White	6/180
KKT303177	GBF2200-1	6410014509873	2000	Grey	6/180
KKT303180	GBF2200-2	6410014508920	2000	Black	6/180
KKT303182	GBF2200-3	6410014509927	2000	White	6/180
KKT303185	GBF2300-1	6410014509880	3000	Grey	6/180
KKT303188	GBF2300-2	6410014508937	3000	Black	6/180
KKT303190	GBF2300-3	6410014509934	3000	White	6/180

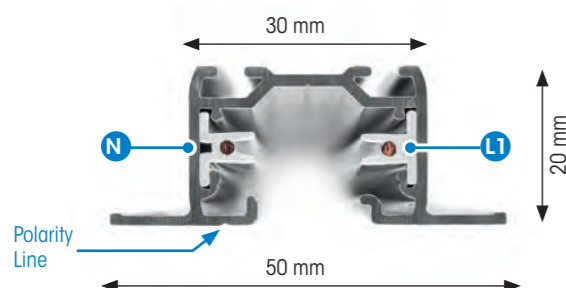
GBF
2100-2300
Recessed



GB Surface



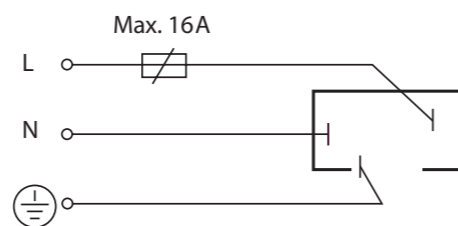
GBF Recessed



GLOBAL Trac Base

Power Conductor Cross-Section: 2,5mm²

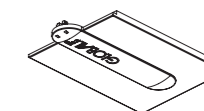
Connection
230 V AC, 16 A, 3.7 kW



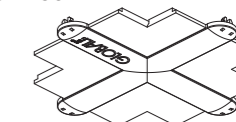
Recessed Track Accessories:

KKT303281	GBF10-1	6410014501518	Cover plate : GB11-12	Grey	1/100
KKT303273	GBF10-2	6410014508821	Cover plate : GB11-12	Black	1/100
KKT303274	GBF10-3	6410014509828	Cover plate : GB11-12	White	1/100
KKT303271	GBF30-1	6410014501525	Cover plate : GB14-40	Grey	1/100
KKT303275	GBF30-2	6410014508838	Cover plate : GB14-40	Black	1/100
KKT303276	GBF30-3	6410014509835	Cover plate : GB14-40	White	1/100

Outlet cover plate
GBF 10



GBF 30



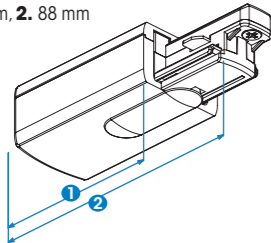
- *Lightweight but Durable*

Global Trac Base accessories

All materials are halogen free and VO self-extinguishing.
Available colours: -1 grey (RAL 7040), -2 black (RAL 9005), -3 white (RAL 9016).

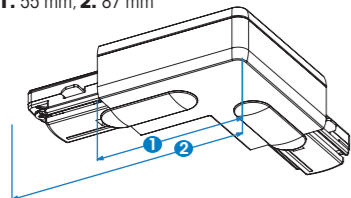
End feed GB 11, 12

1. 55 mm, 2. 88 mm



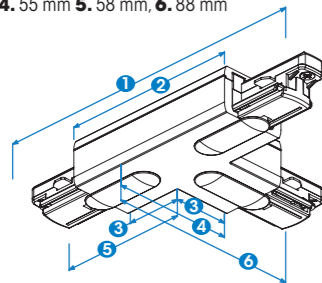
L-feed GB 34, 35

1. 55 mm, 2. 87 mm



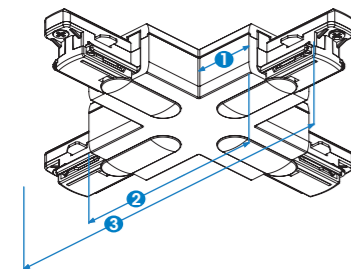
T-feed GB 36, 37, 39, 40

1. 145 mm, 2. 80 mm, 3. 25 mm,
4. 55 mm, 5. 58 mm, 6. 88 mm



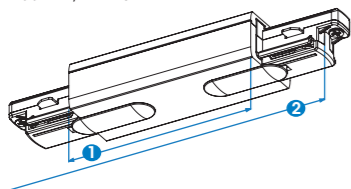
X-feed GB 38

1. 25 mm, 2. 80 mm, 3. 145 mm



Middle feed GB 14

1. 80 mm, 2. 145 mm



End Feeds:

Purchase Code	Type	EAN code	Polarity Ridge	Colour	PCS/Package
KKT30321	GB11-1	6410014509156		Grey	1/100
KKT30322	GB11-2	6410014508111		Black	1/100
KKT30324	GB11-3	6410014509118		White	1/100
KKT303210	GB12-1	6410014509163		Grey	1/100
KKT303211	GB12-2	6410014508128		Black	1/100
KKT303213	GB12-3	6410014509125		White	1/100

Global Trac Base connectors with power supply option:

KKT303230	GB34-1	6410014509255		Grey	1/25
KKT303231	GB34-2	6410014508340		Black	1/25
KKT303233	GB34-3	6410014509347		White	1/25
KKT303235	GB35-1	6410014509262		Grey	1/25
KKT303236	GB35-2	6410014508357		Black	1/25
KKT303238	GB35-3	6410014509354		White	1/25

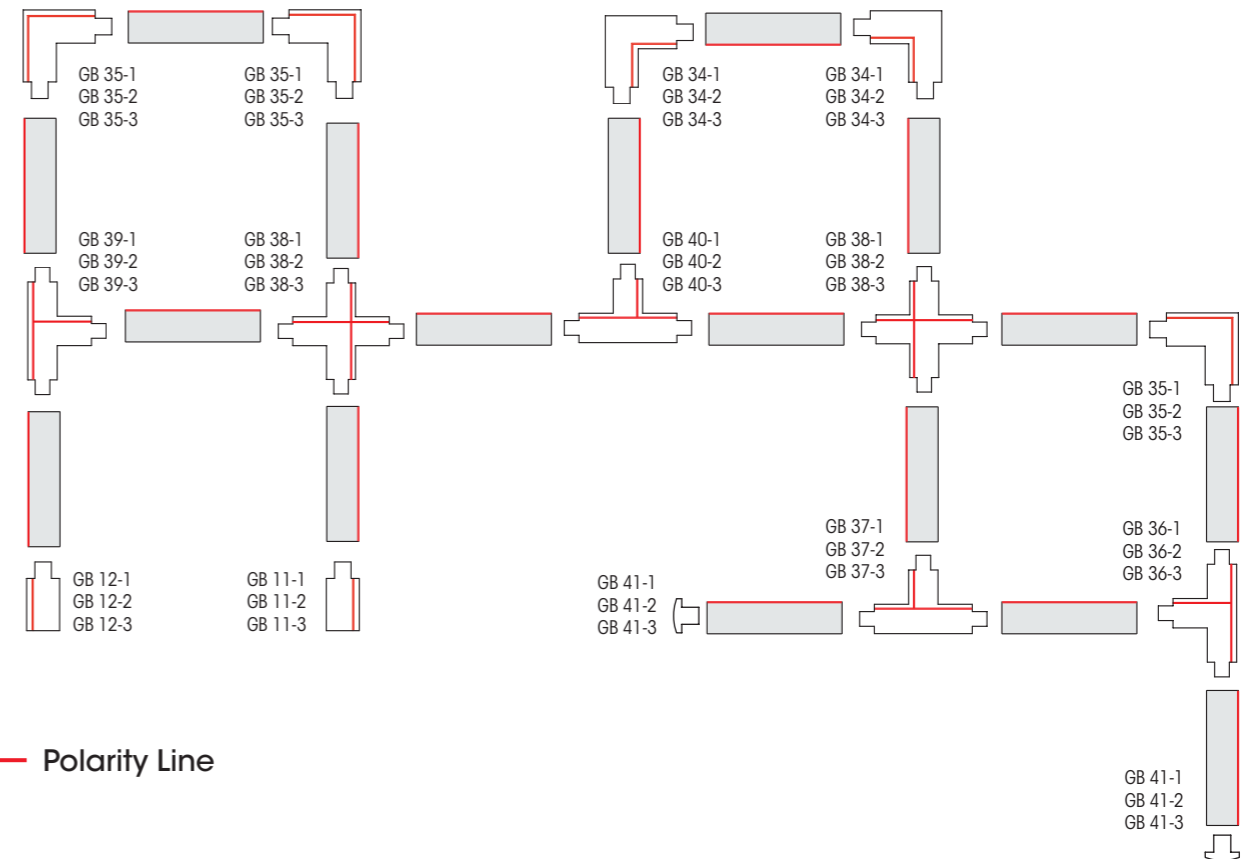
KKT303240	GB36-1	6410014509279		Grey	1/25
KKT303241	GB36-2	6410014508364		Black	1/25
KKT303243	GB36-3	6410014509361		White	1/25
KKT303245	GB37-1	6410014509286		Grey	1/25
KKT303246	GB37-2	6410014508371		Black	1/25
KKT303248	GB37-3	6410014509378		White	1/25
KKT303255	GB39-1	6410014509309		Grey	1/25
KKT303256	GB39-2	6410014508395		Black	1/25
KKT303258	GB39-3	6410014509392		White	1/25
KKT303260	GB40-1	6410014509316		Grey	1/25
KKT303261	GB40-2	6410014508401		Black	1/25
KKT303263	GB40-3	6410014509408		White	1/25

KKT303250	GB38-1	6410014509293		Grey	1/25
KKT303251	GB38-2	6410014508388		Black	1/25
KKT303253	GB38-3	6410014509385		White	1/25

KKT303215	GB14-1	6410014509170	Grey	1/50
KKT303216	GB14-2	6410014508142	Black	1/50
KKT303218	GB14-3	6410014509149	White	1/50

Polarity in Base Trac

Use of L-, T- and X- Feed. Red line indicates polarity ridge



Connectors without option for power supply:

Purchase Code	Type	EAN code	Colour	PCS/Package
KKT303220	GB21-1	6410014509187	Grey	1/100
KKT303221	GB21-2	6410014508210	Black	1/100
KKT303223	GB21-3	6410014509217	White	1/100

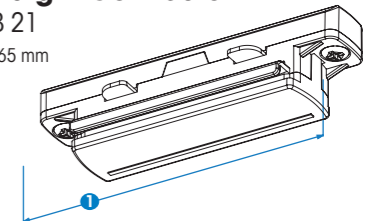
KKT303225	GB24-1	6410014509194	Grey	1/25
KKT303226	GB24-2	6410014508241	Black	1/25
KKT303228	GB24-3	6410014509248	White	1/25

End Cap:

KKT303265	GB41-1	6410014509323	Grey	1/100
KKT303266	GB41-2	6410014508418	Black	1/100
KKT303268	GB41-3	6410014509415	White	1/100

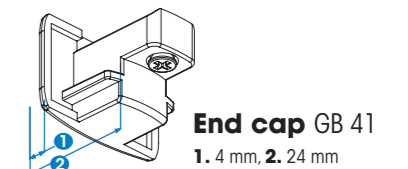
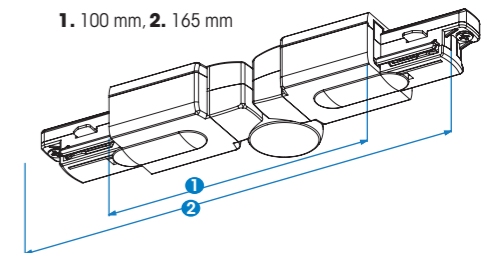
Straight Connector

GB 21
1. 65 mm



Adjustable corner connector GB 24

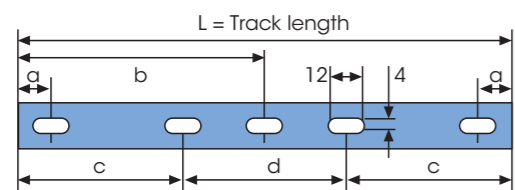
1. 100 mm, 2. 165 mm



● Flexible & Affordable

Global Trac Suspension parts Pro & Pulse

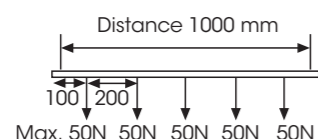
Predrilled Mounting Holes for Pro & Pulse Tracks:



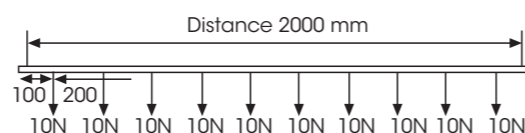
*Screw diameter max. 4mm

L/mm	a/mm	b/mm	c/mm	d/mm
1000	250	1000	1000	1000
2000	250			
3000	250			
4000	250			

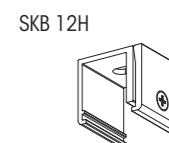
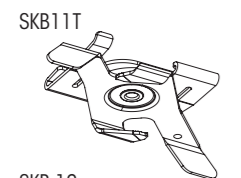
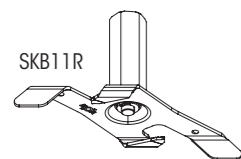
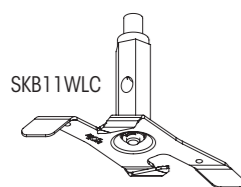
Load Capacity:



The Recommended fastening distance is 1000 mm



Track Mounting Clamps (PRO, PULSE -Series):



Purchase Code	Type	EAN code	Description	Fmax	Colour	PCS/ Package
KKT3014320	SKB11WLC-1	6410014500634	Clip with height adjust for wire OD 1.3-2.4mm	150N	Grey	20/200
KKT3014321	SKB11WLC-2	6410014500641	Clip with height adjust for wire OD 1.3-2.4mm	150N	Black	20/200
KKT3014322	SKB11WLC-3	6410014500658	Clip with height adjust for wire OD 1.3-2.4mm	150N	White	20/200

KKT3014311	SKB11R-1	6410014500665	Clip with M6 mounting	150N	Grey	20/200
KKT3014312	SKB11R-2	6410014500672	Clip with M6 mounting	150N	Black	20/200
KKT3014313	SKB11R-3	6410014500689	Clip with M6 mounting	150N	White	20/200

KKT3014157	SKB11T-1	6410014500603	Clip for T-Bar	50N	Grey	20/200
KKT3014158	SKB11T-2	6410014500610	Clip for T-Bar	50N	Black	20/200
KKT3014159	SKB11T-3	6410014500627	Clip for T-Bar	50N	White	20/200

KKT30143	SKB12-1	6410014500511	Clamp for Rod and Wire	200N	Grey	20/200
KKT301411	SKB12-2	6410014520564	Clamp for Rod and Wire	200N	Black	20/200
KKT301414	SKB12-3	6410014530518	Clamp for Rod and Wire	200N	White	20/200

KKT3014141	SKB12H-1	6410014522629	Clamp height 29mm	200N	Grey	100
KKT3014152	SKB12H-2	6410014522636	Clamp height 29mm	200N	Black	100
KKT3014142	SKB12H-3	6410014522643	Clamp height 29mm	200N	White	100

Track Mounting Clamps (PRO, PULSE -Series):

Purchase Code	Type	EAN code	Description	Fmax	Colour	PCS/ Package
KKT301421	SKB16-1	6410014500535	Suspension clamp	200N	Grey	20/200
KKT3014135	SKB16-2	6410014522650	Suspension clamp	200N	Black	20/200
KKT301427	SKB16-3	6410014530532	Suspension clamp	200N	White	20/200

KKT301429	SKB18-1	6410014500559	Suspension clamp	200N	Grey	10/50
KKT3014139	SKB18-2	6410014522667	Suspension clamp	200N	Black	10/50
KKT301435	SKB18-3	6410014530556	Suspension clamp	200N	White	10/50

KKT301438	SKB21-1	6410014500740	Wall clamp	100N	Grey	5/50
-----------	---------	---------------	------------	------	------	------

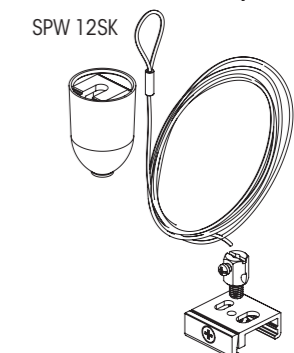
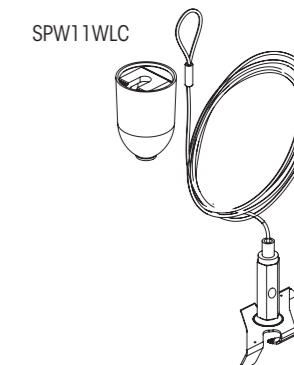
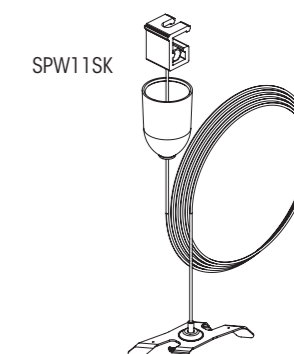
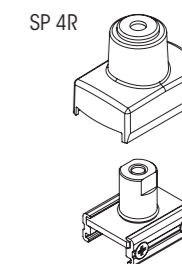
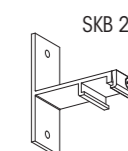
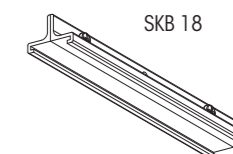
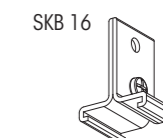
KKT301481	SP4R-1	6410014507688	Clamp with M6 mounting	200N	Grey	1/100
KKT301482	SP4R-2	6410014506919	Clamp with M6 mounting	200N	Black	1/100
KKT301484	SP4R-3	6410014507916	Clamp with M6 mounting	200N	White	1/100

Wire Suspension Sets (PRO, PULSE -Series):

Purchase Code	Type	EAN code	Description	Fmax	Colour	PCS/ Package
KKT315489	SPW11SK-1/1,5M	6410014500696	Track clip wire set 1.5m	150N	Grey	1/100
KKT315492	SPW11SK-1/3M	6410014500764	Track clip wire set 3m	150N	Grey	1/100
KKT315495	SPW11SK-1/5M	6410014500825	Track clip wire set 5m	150N	Grey	1/100
KKT315490	SPW11SK-2/1,5M	6410014500719	Track clip wire set 1.5m	150N	Black	1/100
KKT315493	SPW11SK-2/3M	6410014500771	Track clip wire set 3m	150N	Black	1/100
KKT315496	SPW11SK-2/5M	6410014500832	Track clip wire set 5m	150N	Black	1/100
KKT315491	SPW11SK-3/1,5M	6410014500733	Track clip wire set 1.5m	150N	White	1/100
KKT315494	SPW11SK-3/3M	6410014500788	Track clip wire set 3m	150N	White	1/100
KKT315497	SPW11SK-3/5M	6410014500849	Track clip wire set 5m	150N	White	1/100

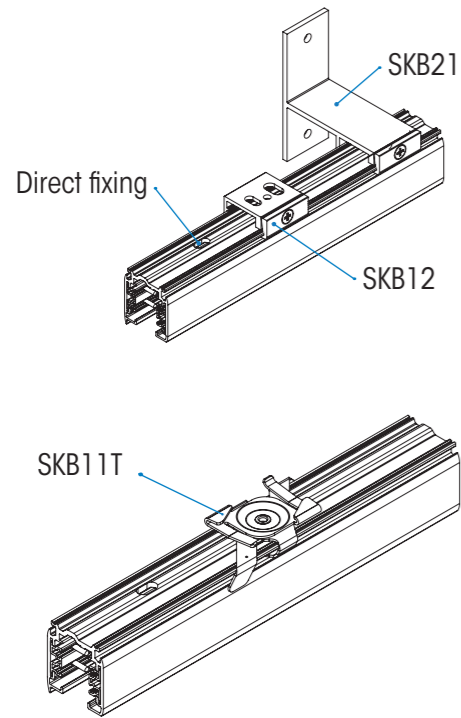
KKT315507	SPW11WLC-1/1,5M	6410014501945	Track clip wire set 1.5m	150N	Grey	1/100
KKT315499	SPW11WLC-1/3M	6410014501952	Track clip wire set 3m	150N	Grey	1/100
KKT315510	SPW11WLC-1/5M	6410014501969	Track clip wire set 5m	150N	Grey	1/100
KKT315508	SPW11WLC-2/1,5M	6410014501976	Track clip wire set 1.5m	150N	Black	1/100
KKT315500	SPW11WLC-2/3M	6410014501983	Track clip wire set 3m	150N	Black	1/100
KKT315511	SPW11WLC-2/5M	6410014501990	Track clip wire set 5m	150N	Black	1/100
KKT315509	SPW11WLC-3/1,5M	6410014502003	Track clip wire set 1.5m	150N	White	1/100
KKT315501	SPW11WLC-3/3M	6410014502010	Track clip wire set 3m	150N	White	1/100
KKT315512	SPW11WLC-3/5M	6410014502027	Track clip wire set 5m	150N	White	1/100

KKT315478	SPW12SK-1/1,5M	6410014522964	Track clamp wire set 1.5m	150N	Grey	1/100
KKT315481	SPW12SK-1/3M	6410014500061	Track clamp wire set 3m	150N	Grey	1/100
KKT315484	SPW12SK-1/5M	6410014500078	Track clamp wire set 5m	150N	Grey	1/100
KKT315479	SPW12SK-2/1,5M	6410014522971	Track clamp wire set 1.5m	150N	Black	1/100
KKT315482	SPW12SK-2/3M	6410014500085	Track clamp wire set 3m	150N	Black	1/100
KKT315485	SPW12SK-2/5M	6410014500092	Track clamp wire set 5m	150N	Black	1/100
KKT315480	SPW12SK-3/1,5M	6410014522988	Track clamp wire set 1.5m	150N	White	1/100
KKT315483	SPW12SK-3/3M	6410014500108	Track clamp wire set 3m	150N	White	1/100
KKT315486	SPW12SK-3/5M	6410014500115	Track clamp wire set 5m	150N	White	1/100



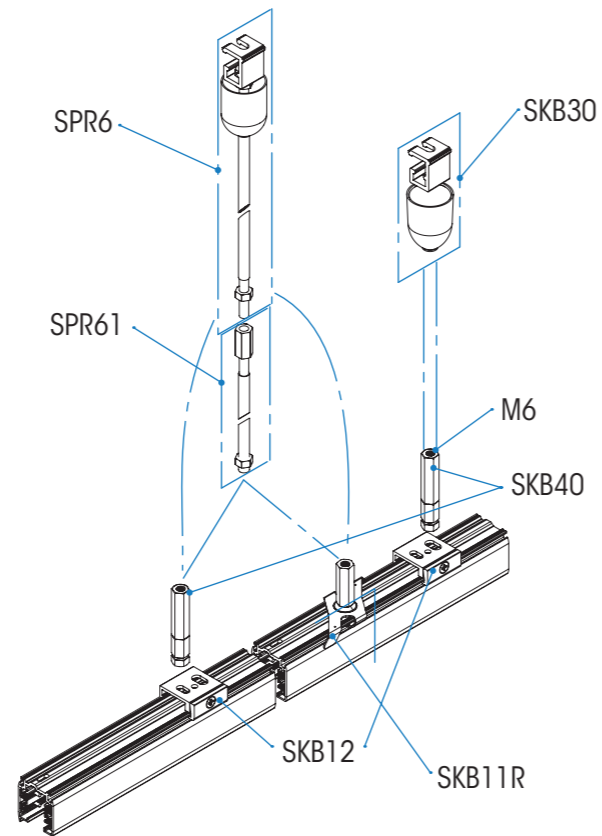
Global Trac Pro & Pulse – Suspension Options

Direct

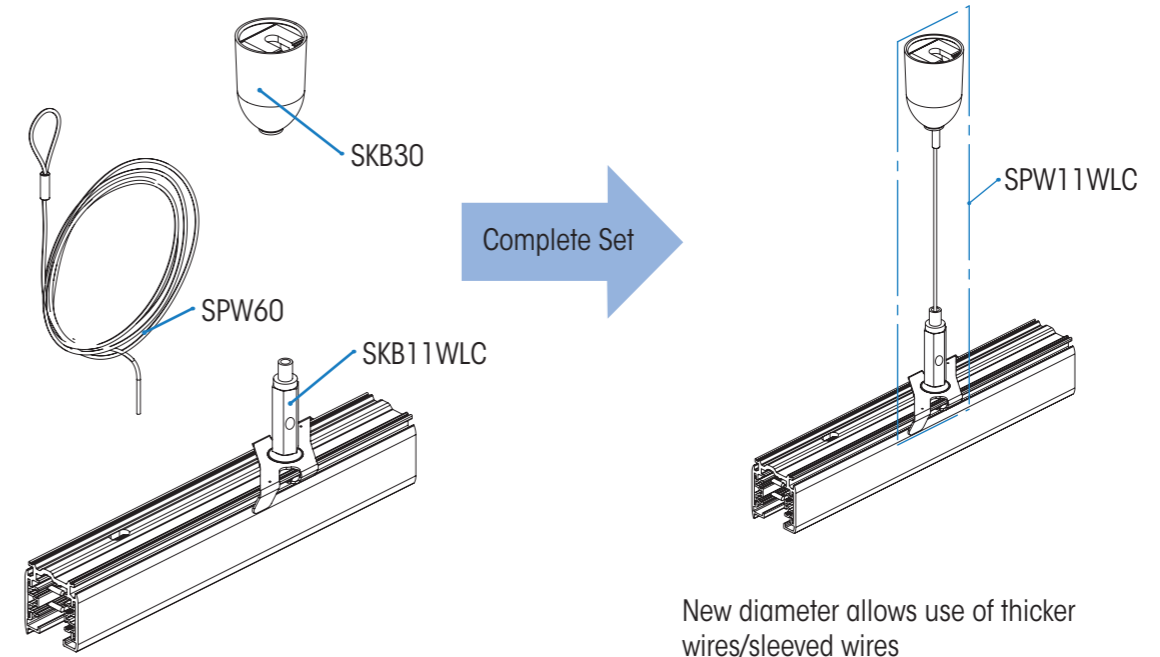


Fmax 50N / Track clip only, T-bar according to the manufacturer. Recommended distance between clips 750mm

Rod Suspension



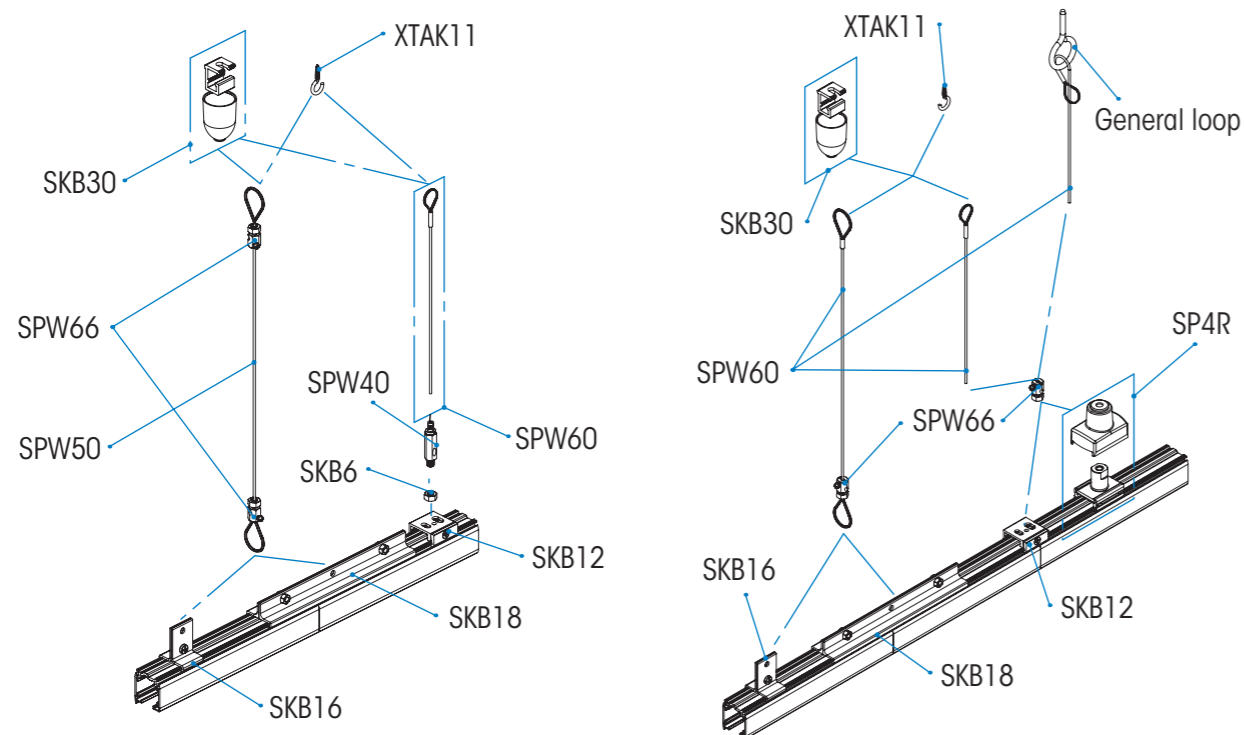
Wire Suspension set



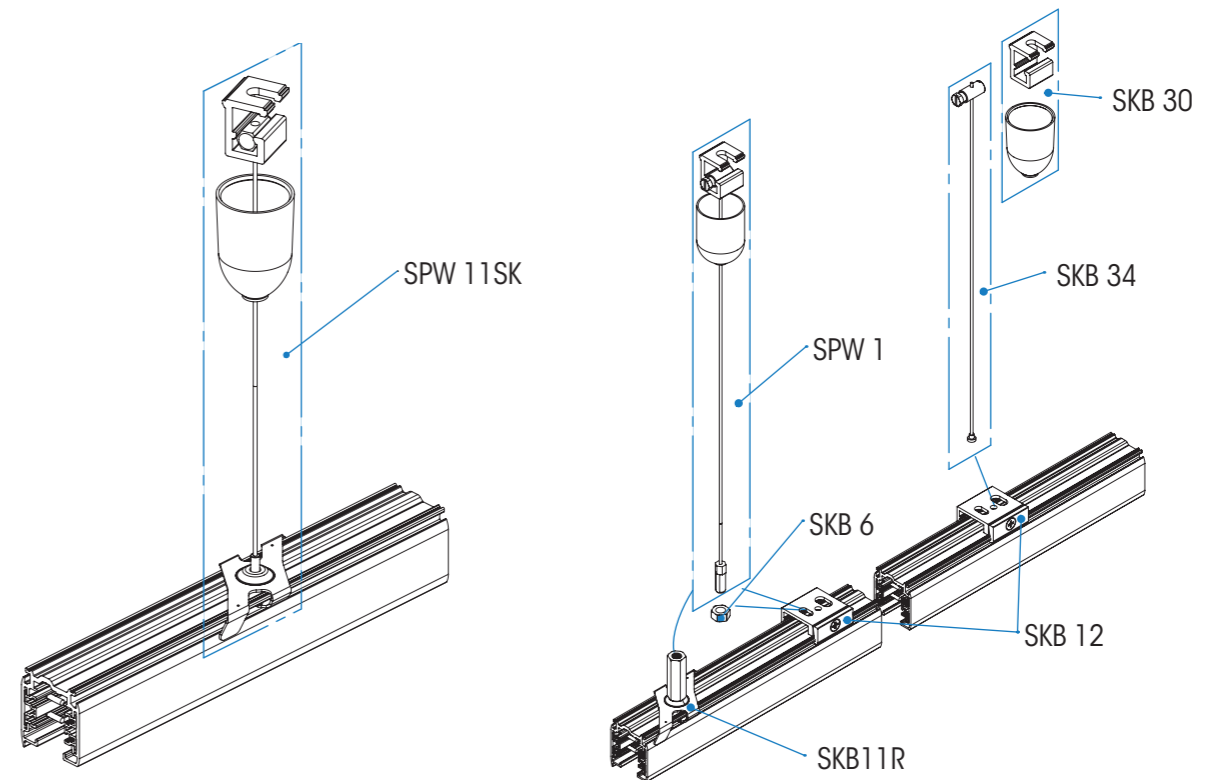
New diameter allows use of thicker wires/sleeved wires

Fmax 100N Steel wire with plastic sleeve 1.0 - 2.4 mm
Fmax 150N Steel twisted wire 1.3 - 2.4 mm

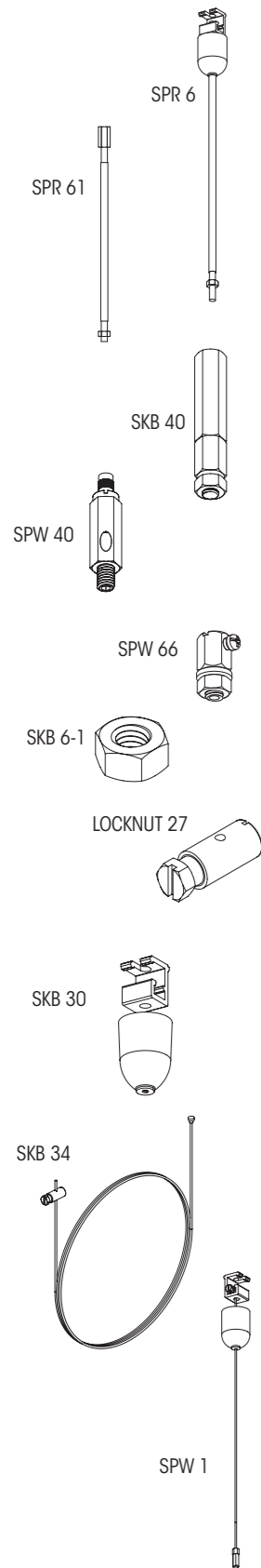
Wire Suspension



Wire Suspension



Global Trac Suspension parts



General Suspension Parts (PRO, PULSE, BASE -Series):

Purchase Code	Type	EAN code	Description	Fmax	Colour	PCS / Package
KKT315438	SPR6-2	6410014506872	Rod M6 1M set	200N	Black	10
KKT315440	SPR6-3	6410014507879	Rod M6 1M set	200N	White	10

KKT315435	SPR61-2	6410014506902	Rod M6 extension 1M set	200N	Black	10
KKT315436	SPR61-3	6410014507909	Rod M6 extension 1M set	200N	White	10

KKT315428	SKB40-1	6410014502485	Adjusting sleeve for M6	200N	Steel	10
KKT315460	SPW40-1	6410014502492	Height adjusting for wire 1.5	150N	Steel	10

KKT315467	SPW66-1	6410014535162	Height adjusting for wire 1.5	150N	Steel	100
-----------	---------	---------------	-------------------------------	------	-------	-----

KKT315431	SKB 6-1	6410014502416	Nut M6	200N	Steel	100
KKT31541	LOCKNUT 27	6410014502126	Lock nut for wire	150N	Steel	100

KKT31543	SKB30-1	6410014522742	Ceiling clamp	200N	Grey	1/200
KKT31544	SKB30-2	6410014502447	Ceiling clamp	200N	Black	1/200
KKT31547	SKB30-3	6410014530303	Ceiling clamp	200N	White	1/200

KKT315420	SKB34-1	6410014502348	Wire 1.5M + Locknut 27	150N	Steel	10/200
KKT315421	SKB34-1/3M	6410014522674	Wire 3M + Locknut 27	150N	Steel	10/200
KKT315423	SKB34-1/5M	6410014522681	Wire 5M + Locknut 27	150N	Steel	10/200

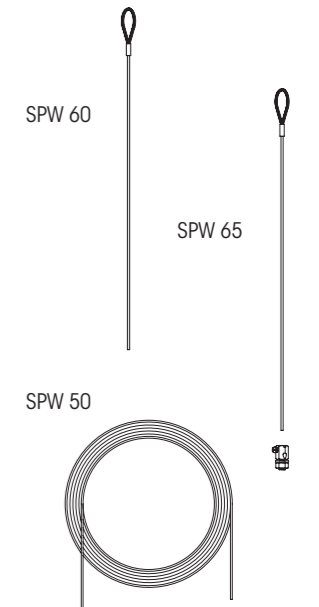
KKT315443	SPW1-1	6410014522698	Wire 1.5M with M6 mounting	150N	Grey	1/100
KKT315441	SPW1-1/3M	6410014500474	Wire 1.5M with M6 mounting	150N	Grey	1/100
KKT315450	SPW1-1/5M	6410014500481	Wire 1.5M with M6 mounting	150N	Grey	1/100
KKT315444	SPW1-2	6410014506865	Wire 3M with M6 mounting	150N	Black	1/100
KKT315445	SPW1-2/3M	6410014522704	Wire 3M with M6 mounting	150N	Black	1/100
KKT315447	SPW1-2/5M	6410014522711	Wire 3M with M6 mounting	150N	Black	1/100
KKT315452	SPW1-3	6410014507862	Wire 5M with M6 mounting	150N	White	1/100
KKT315453	SPW1-3/3M	6410014522728	Wire 5M with M6 mounting	150N	White	1/100
KKT315455	SPW1-3/5M	6410014522735	Wire 5M with M6 mounting	150N	White	1/100

General Suspension Parts (PRO, PULSE, BASE -Series):

Purchase Code	Type	EAN code	Description	Fmax	Colour	PCS / Package
KKT3154661	SPW60-1	6410014501891	Wire 1.5M loop	150N	Steel	1/100
KKT3154662	SPW60-1/3M	6410014501907	Wire 3M loop	150N	Steel	1/100
KKT3154663	SPW60-1/5M	6410014501914	Wire 5M loop	150N	Steel	1/100

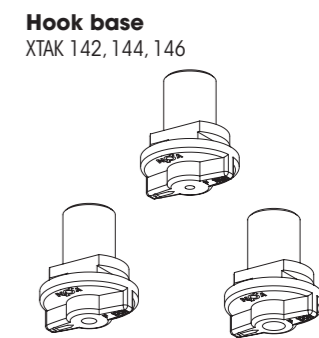
KKT315466	SPW65-1	6410014533151	Wire 1.5M loop+ SPW66	150N	Steel	1/100
KKT31546633	SPW65-1/3M	6410014501921	Wire 3M loop + SPW66	150N	Steel	1/100
KKT31546655	SPW65-1/5M	6410014501938	Wire 5M loop + SPW66	150N	Steel	1/100

KKT315461	SPW50-1	6410014502508	Wire 50M roll	150N	Steel	1/10
-----------	---------	---------------	---------------	------	-------	------



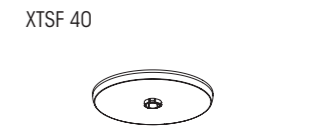
Suspension From Track (Pro, Pulse -Series):

KKT3014132	XTAK 142-1	6410014507435	2mm hook suspension	100N	Grey	50/250
KKT3014126	XTAK 142-2	6410014506421	2mm hook suspension	100N	Black	50/250
KKT3014127	XTAK 142-3	6410014507428	2mm hook suspension	100N	White	50/250
KKT3014133	XTAK 144-1	6410014507459	M4mm nut/rod suspension	100N	Grey	50/250
KKT3014128	XTAK 144-2	6410014506445	M4mm nut/rod suspension	100N	Black	50/250
KKT3014129	XTAK 144-3	6410014507442	M4mm nut/rod suspension	100N	White	50/250
KKT3014134	XTAK 146-1	6410014507473	M6mm nut/rod suspension	100N	Grey	50/250
KKT3014130	XTAK 146-2	6410014506469	M6mm nut/rod suspension	100N	Black	50/250
KKT3014131	XTAK 146-3	6410014506466	M6mm nut/rod suspension	100N	White	50/250



General Track Accessories:

KKT3011131	XTSF40-1	6410014500436	Outlet/cover plate for feed	-	Grey	1/100
KKT3012192	XTSF40-2	6410014506636	Outlet/cover plate for feed	-	Black	1/100
KKT3012193	XTSF40-3	6410014507633	Outlet/cover plate for feed	-	White	1/100



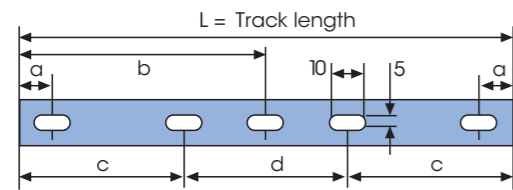
KKT3014116	XTAK 11-1	6410014500795	Hook 2mm, XTAK142 & GBA14	100N	Steel	100/1000
------------	-----------	---------------	---------------------------	------	-------	----------



● *Wide Range of Mounting Accessories
For All Suspension Needs*

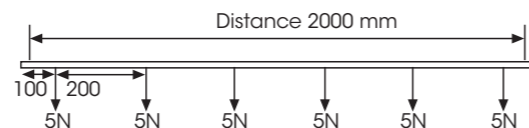
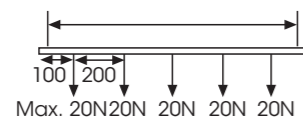
Global Trac Suspension parts Base

Predrilled Mounting Holes for Base Tracks:

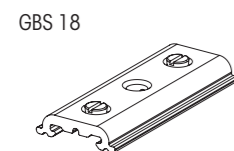


L/mm	a/mm	b/mm	c/mm	d/mm
1000	250			
2000	250	1000		
3000	250		1000	1000

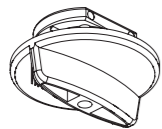
Load Capacity:



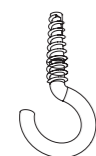
The Recommended fastening distance is 1000 mm



Hook base
GBA 14



Hook
XTAK 11



Track Mounting Clamps (BASE -Series):

Purchase Code	Type	EAN code	Description	Fmax	Colour	PCS/ Package
KKT30344	GBS18-9	6410014508180	Long clamp with M6 thread	200N	Alu	10/200
KKT30345	GBS33-9	6410014508333	Short clamp with M6 thread	200N	Alu	20/200

Suspension from Track (BASE -Series):

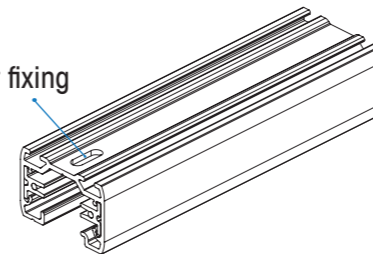
KKT30341	GBA14-1	6410014509811	2mm hook suspension	100N	Grey	50/250
KKT30342	GBA14-2	6410014508807	2mm hook suspension	100N	Black	50/250
KKT30343	GBA14-3	6410014509804	2mm hook suspension	100N	White	50/250

KKT3014116	XTAK 11-1	6410014500795	Hook 2mm, XTAK142 & GBA14	100N	Steel	100/1000
------------	-----------	---------------	---------------------------	------	-------	----------

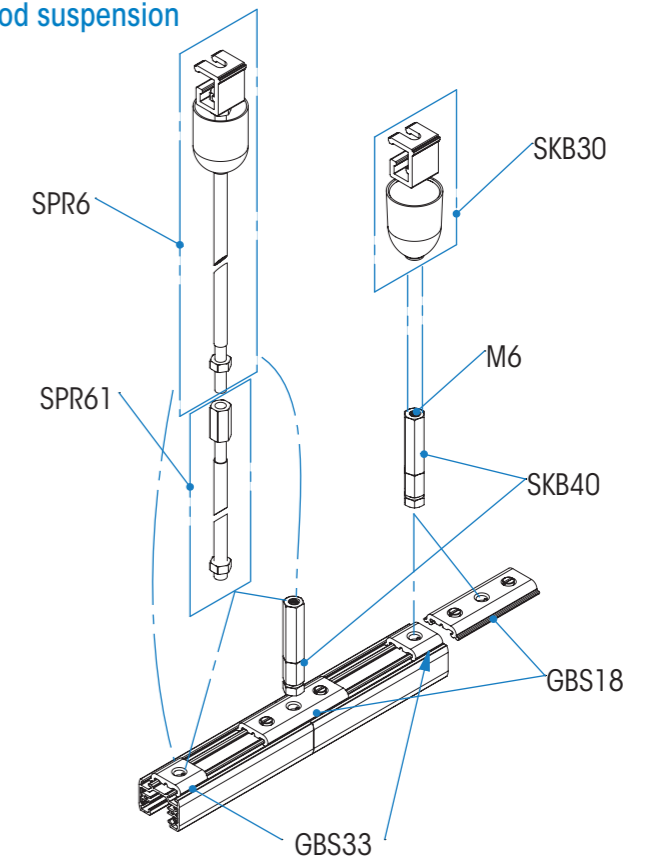
Global Trac Base – Suspension Options

Direct

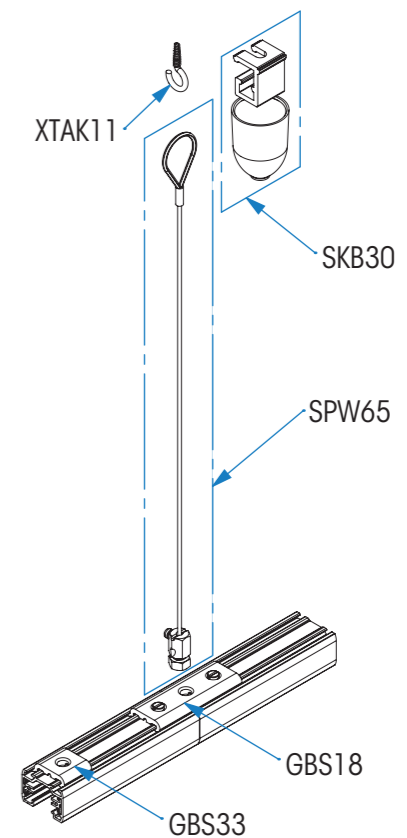
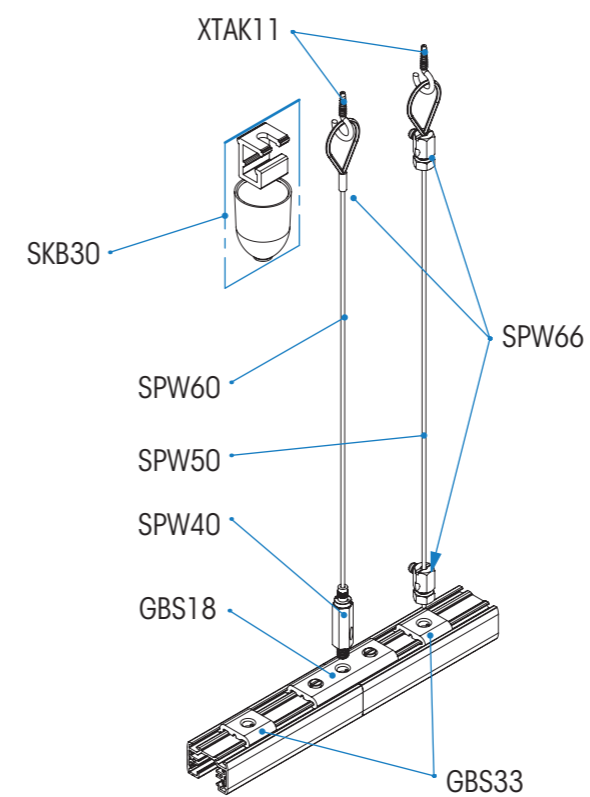
Direct fixing



Rod suspension



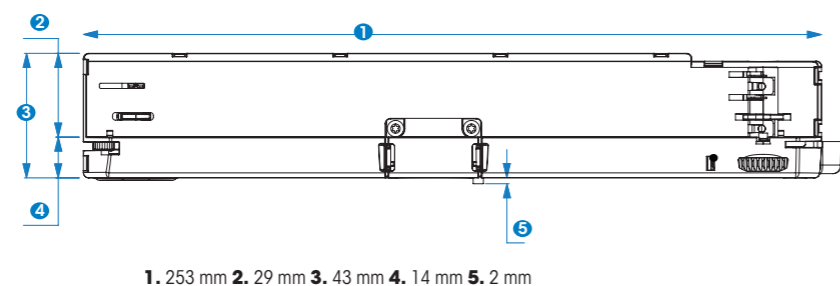
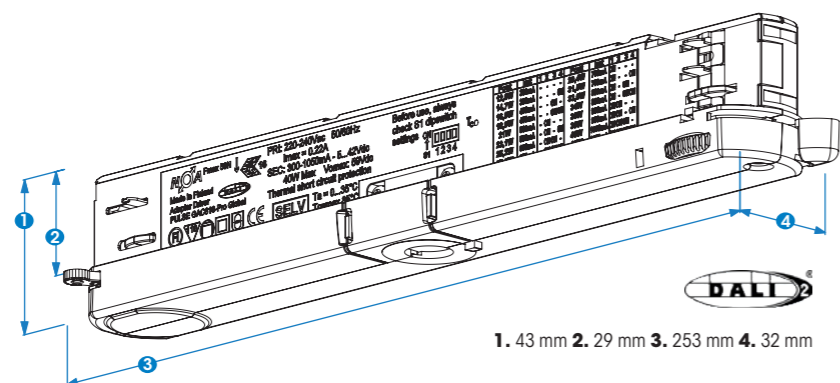
Wire Suspension



Global Trac In-Track Adapter-Drivers

Pulse DALI 3-Circuit Adapter-Drivers:

Purchase Code	Type	EAN code	Description	Fmax	Colour	PCS / Package
LIV3013191	GAC616-1-Pro Global	6413631176930	300-1050mA : 12,6-40W	50N	Grey	10/1440
LIV3013192	GAC616-2-Pro Global	6413631176947	300-1050mA : 12,6-40W	50N	Black	10/1440
LIV3013193	GAC616-3-Pro Global	6413631176954	300-1050mA : 12,6-40W	50N	White	10/1440



NOVA Fmax 50N ↓ PRI: 220-240Vac 50/60Hz Imax = 0.22A
 Made in Finland Adapter Driver PULSE GAC616-Pro Global Thermal short circuit protection
 SELV Ta = 0...35°C Tc=max 85°C

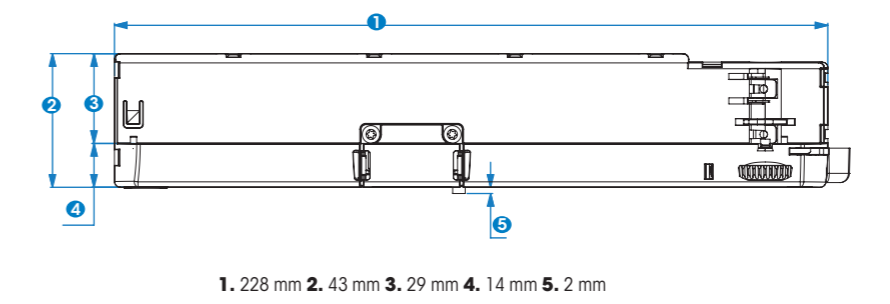
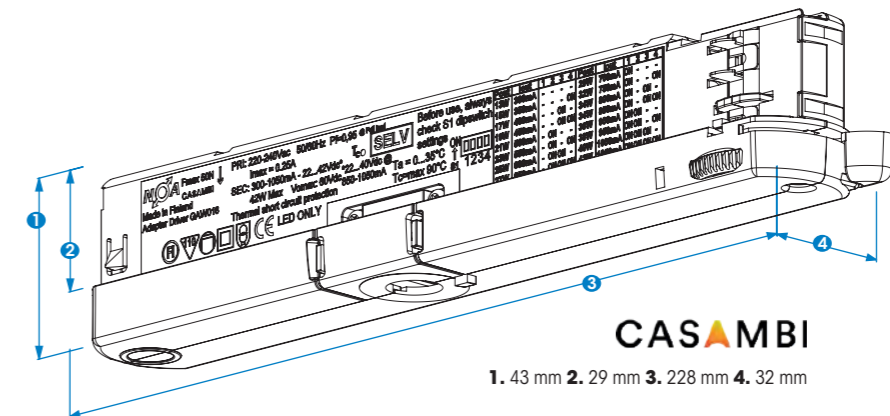
Before use, always check S1 dipswitch settings ON Tc

Power	Load	1	2	3	4	Power	Load	1	2	3	4
12,6W	300mA	-	-	-	-	29,6W	700mA	ON	-	-	-
14,7W	360mA	-	-	ON	-	31,8W	780mA	ON	-	-	ON
18,9W	400mA	-	ON	-	-	33,8W	800mA	ON	-	ON	-
18,9W	400mA	-	ON	ON	-	36W	800mA	ON	ON	ON	-
21W	600mA	-	ON	-	-	38W	900mA	ON	ON	-	-
23,1W	600mA	-	ON	ON	-	38W	900mA	ON	ON	ON	-
26,2W	800mA	-	ON	ON	-	40W	1000mA	ON	ON	ON	-
27,3W	800mA	-	ON	ON	ON	40W	1000mA	ON	ON	ON	ON

- Create Your Dynamic Lighting Easily with GAC-616

Wireless Smart Controlled 3-Circuit Adapter-Drivers:

Purchase Code	Type	EAN code	Description	Fmax	Colour	PCS / Package
LIV30134811	GAW016-1 Casambi	6413631175407	300-1050mA : 12,6-42W	50N	Grey	44/2112
LIV30134821	GAW016-2 Casambi	6413631175414	300-1050mA : 12,6-42W	50N	Black	44/2112
LIV30134831	GAW016-3 Casambi	6413631175421	300-1050mA : 12,6-42W	50N	White	44/2112



NOVA Fmax 50N ↓ PRI: 220-240Vac 50/60Hz Pf=0,95 @ Full load Imax = 0.25A
 Made in Finland Adapter Driver GAW016 Thermal short circuit protection
 SELV Ta = 0...35°C Tc=max 90°C

Before use, always check S1 dipswitch settings ON Tc

Power	Load	1	2	3	4	Power	Load	1	2	3	4
13W	300mA	-	-	-	-	29W	700mA	ON	-	-	-
16W	360mA	-	-	ON	-	32W	780mA	ON	-	-	ON
17W	400mA	-	ON	-	-	34W	800mA	ON	-	ON	-
19W	450mA	-	ON	ON	-	36W	800mA	ON	ON	ON	-
21W	600mA	-	ON	-	-	38W	900mA	ON	ON	-	-
23W	600mA	-	ON	ON	-	38W	900mA	ON	ON	ON	-
26W	800mA	-	ON	ON	-	40W	1000mA	ON	ON	ON	-
27W	800mA	-	ON	ON	ON	42W	1050mA	ON	ON	ON	ON

- The Original & Genuine Global Trac Adapter-Drivers Invented, Designed and Made in Finland



Our **comprehensive portfolio of track lighting systems** is designed to fully meet the lighting challenges of today.

We are all about innovative engineering, sustainability and authenticity. We set the standard in manufacturing the world's most used electrical track solutions known as **GLOBAL^{track}**

Ready to Deliver Around the Globe – From Finland Directly to Your Warehouse

Nordic Aluminium holds valid certifications enabling **export all around the globe**. Continuous product development in line with present-day international safety standards is an essential part of our business.



As a result, our track systems come with many certificates such as: *)



**) Certificates to vary regionally and between product families*

Don't Hesitate to Contact Us for Your Track Lighting Needs, Wherever You Are in the World

REX Lite® | 台灣總代理

REX Lite®
瑞司照明系統

FISHBONE Design 觀境設計股份有限公司



REX Lite®



CASAMBI

TCI LED

GLOBAL

ZUSU

techno

STEAB

PANDUL

412027 台中市大里區
西湖路187巷108號 | 總公司
No.108, Ln.187, Xihu Rd., Dali Dist.,
Taichung City 412027, Taiwan | Headquarter

408008 台中市南屯區
文心南路39號 | 品牌意識空間
No. 39, Wenxin S. Rd., Nantun Dist.,
Taichung City 408008, Taiwan

106022 台北市大安區
建國南路二段69巷56號 | 設計師聚會所
No.56, Ln. 69, Sec. 2, Jianguo S. Rd., Da' an Dist.,
Taipei City 106022, Taiwan

+886-4-2496-4053

+886-4-2496-0497

www.rexlite.com.tw

REX Lite

rexlite.tw

客服專線 TEL 0800-279-979