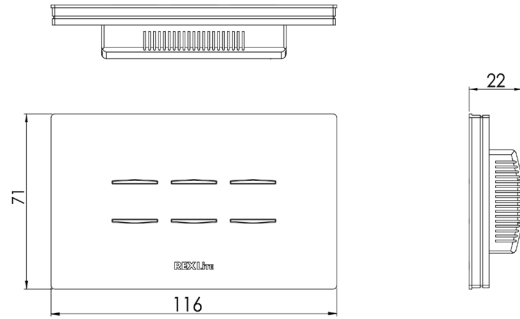




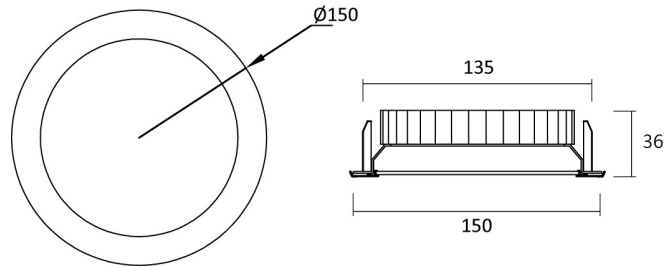
# SPECIFICATION

---

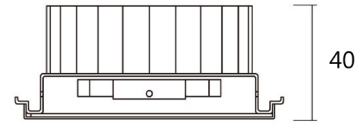
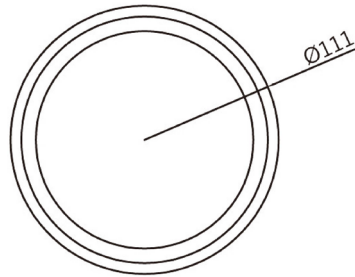
All Products 2020



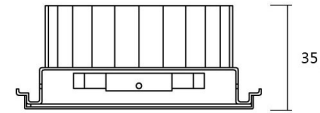
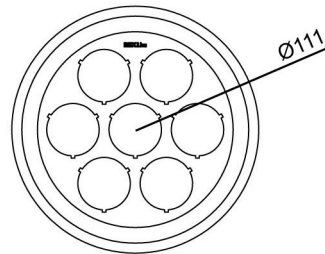
Project	:	Location	:
Device Location	:		
Brand	:	<b>REX<sup>Lite</sup></b>	
Origin	:	Taiwan	
Color	:	Black / White	
Dimension	:	W161 × H71 × D22mm	
Specs	:	1 / 2 / 3 Circuits dimming switch Ver.3.6	
Function Function	:	1 RS485 Signal at each Channel	
Power Consumption	:	0.5W	
Material	:	Aluminum, Tempered Glass, ABS	
Finish	:	Black / White Glass, Anodizing	
Bore Dimension	:	W76 × H45 × D20mm	
Power Supplier	:	1 2V DC	
		CE Complianice	
		UL94V-O	
Note	:	Work with MAXLink and MAXPower-R series	



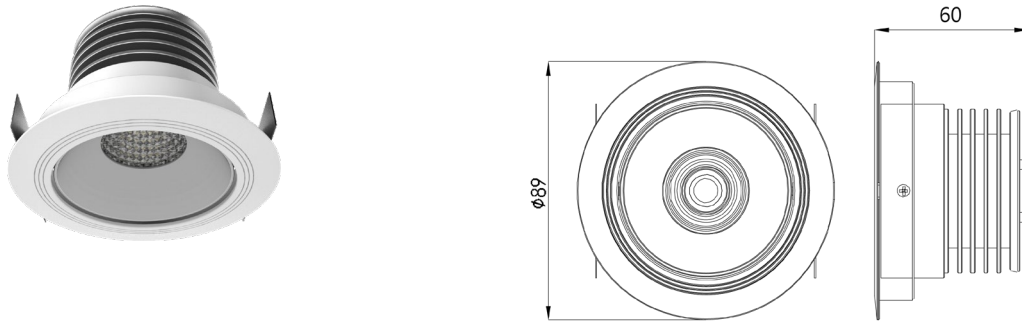
Project	:	Location	:
Device Location	:		
Brand	:	<b>REXLiTE</b> <sup>®</sup>	
Origin	:	Taiwan	
Color	:	White / Black	
Beam Angle	:	Flood	
Dimension	:	Ø150 x H36mm	
LED Source	:	NICHIA LED	
LED Specs	:	Ra <sub>a</sub> ≥ 90 LM80 2,700K-5,000K R9 > 50	
Color Tolerance Adjustment	:	SDCM ≤ 3	
Luminous Flux	:	1,520 Lm	
Power Consumption	:	14W	
Material	:	Aluminum, PC, ABS	
Finish	:	Anodizing	
Bore Dimension	:	Ø135 x H40mm	
Power Supplier	:	0.7A DC, Constant Current	
		PFC : 0.96 @ 115Vac	
		Effi. : 87% @ 115Vac	
		CE Compliance	
		Noryl UL94V-0	
Note	:	Heat Sink Temp. < 70°C	



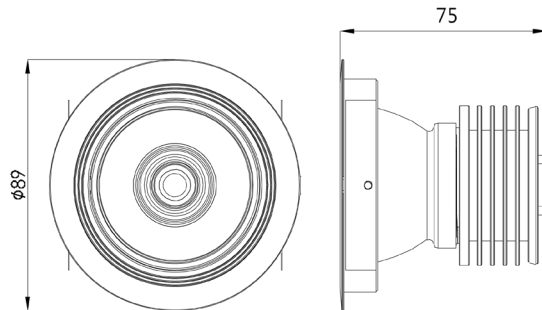
Project	:	Location	:
Device Location	:		
Brand	:	<b>REXLiTE</b> <sup>®</sup>	
Origin	:	Taiwan	
Color	:	White / Black / Aluminum	
Beam Angle	:	Flood	
Dimension	:	Ø111 × H40mm	
LED Source	:	NICHIA LED	
LED Specs	:	Ra ≥ 90 LM80 2,700K-5,000K R9 > 50	
Color Tolerance Adjustment	:	SDCM ≤ 3	
Luminous Flux	:	820 Lm	
Power Consumption	:	8.5W	
Material	:	Aluminum, PC, HP	
Finish	:	Anodizing, White Coating Powder	
Bore Dimension	:	Ø100 × H45mm	
Power Supplier	:	0.35A DC, Constant Current	
		PFC : 0.97 @ 115Vac	
		Effi. : 84% @ 115Vac	
		CE Compliance	
		Noryl UL94V-0	
Note	:	Heat Sink Temp. < 70°C	



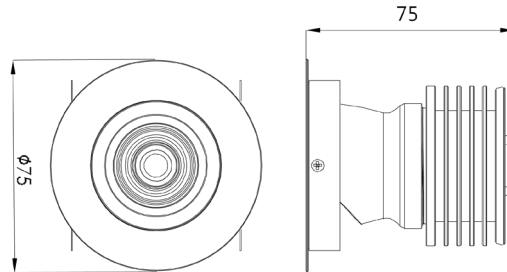
Project	:	Location	:
Device Location	:		
Brand	:	<b>REXLite</b> <sup>®</sup>	
Origin	:	Taiwan	
Color	:	White / Black / Aluminum	
Beam Angle	:	AR111 Spotlight, 25°	
Dimension	:	Ø111 × H35mm	
LED Source	:	NICHIA LED	
LED Specs	:	Ra ≥ 90 LM80 2,700K-5,000K R9 > 50	
Color Tolerance Adjustment	:	SDCM ≤ 3	
Luminous Flux	:	700 Lm	
Power Consumption	:	8.5W	
Material	:	Aluminum, PC	
Finish	:	Anodizing, White Coating Powder	
Bore Dimension	:	Ø100 × H40mm	
Power Supplier	:	0.35A DC Constant Current	
		PFC : 0.97 @ 115Vac	
		Effi. : 84% @ 115Vac	
		CE Compliance	
		Noryl UL94V-0	



Project	:	Location	:
Device Location	:		
Brand	:	<b>REXLiTE</b> <sup>®</sup>	
Origin	:	Taiwan	
Color	:	Black / White	
Beam Angle	:	Spotlight, 10° / 24° / 38°	
Dimension	:	Ø89 × H60mm	
LED Source	:	NICHIA LED	
LED Specs	:	Ra ≥ 90 LM80 2,700K-5,000K R9 > 50	
Color Tolerance Adjustment	:	SDCM ≤ 2	
Luminous Flux	:	1,000 Lm	
Power Consumption	:	9W	
Material	:	Aluminum, PC	
Finish	:	Black Anodizing, White Coating Powder	
Bore Dimension	:	Ø80 × H65mm	
Power Supplier	:	0.25A 36V DC Constant Current	
		Effi. : 86% @ 230Vac	
		CE Compliance	
		Noryl UL94V-0	
Note	:	Heat Sink Temp. < 70°C	

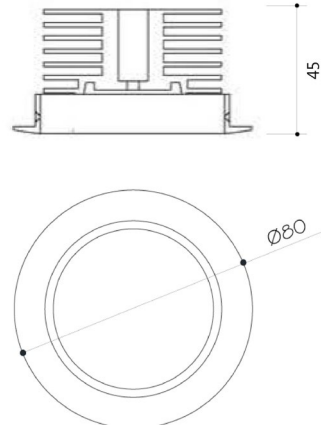


Project	:	Location	:
Device Location	:		
Brand	:	<b>REXLiTE</b> <sup>®</sup>	
Origin	:	Taiwan	
Color	:	Black / White	
Beam Angle	:	Spotlight, 10° / 24° / 38°	
Dimension	:	Ø89 × H75mm	
LED Source	:	NICHIA LED	
LED Specs	:	Ra ≥ 90 LM80 2,700K-5,000K R9 > 50	
Color Tolerance Adjustment	:	SDCM ≤ 2	
Luminous Flux	:	940 Lm	
Power Consumption	:	9W	
Material	:	Aluminum, PC	
Finish	:	Black Anodizing, White Coating Powder	
Bore Dimension	:	Ø80 × H80mm	
Power Supplier	:	0.25A 36V DC Constant Current	
		Effi. : 86% @ 230Vac	
		CE Compliance	
		Noryl UL94V-0	
Note	:	Heat Sink Temp. < 70°C	

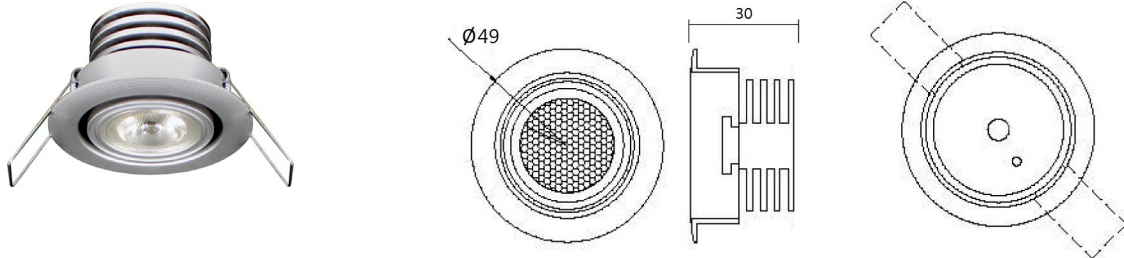


Project	:	Location	:
Device Location	:		
Brand	:	<b>REXLiTE</b> <sup>®</sup>	
Origin	:	Taiwan	
Color	:	Black / White	
Beam Angle	:	Spotlight, 10° / 24° / 38°	
Dimension	:	Ø75 × H75mm	
LED Source	:	NICHIA LED	
LED Specs	:	Ra ≥ 90 LM80 2,700K-5,000K R9 > 50	
Color Tolerance Adjustment	:	SDCM ≤ 2	
Luminous Flux	:	720 Lm	
Power Consumption	:	9W	
Material	:	Aluminum, PC	
Finish	:	Black Anodizing, White Powder Coating	
Bore Dimension	:	Ø65mm × H80mm	
Power Supplier	:	0.25A 36V DC Constant Current	
		Effi. : 86% @ 230Vac	
		CE Compliance	
		Noryl UL94V-0	
Note	:	Heat Sink Temp. < 70°C	





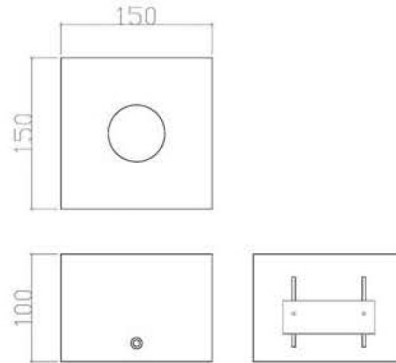
Project	:	Location	:
Device Location	:		
Brand	:	<b>REXLite</b> <sup>®</sup>	
Origin	:	Taiwan	
Color	:	Black / White / Aluminum	
Beam Angle	:	Spotlight, 25° / 40°	
Dimension	:	Ø80 × H45mm	
LED Source	:	NICHIA LED	
LED Specs	:	Ra ≥ 90 LM80 2,700K-5,000K R9 > 50	
Color Tolerance Adjustment	:	SDCM ≤ 3	
Luminous Flux	:	475 Lm	
Power Consumption	:	5.5W	
Material	:	Aluminum, PC	
Finish	:	Anodizing, Black / White Coating Powder	
Bore Dimension	:	Ø70 × H50mm	
Power Supplier	:	0.5A DC, Constant Current	
		PFC : 0.95 @ 115Vac	
		Eff. : 80% @ 115Vac	
		CE Compliance	
		Noryl UL94V-0	
Note	:	Heat Sink Temp. < 70°C	



Project	:	Location	:
Device Location	:		
Brand	:	<b>REXLITE</b> <sup>®</sup>	
Origin	:	Taiwan	
Color	:	Black / Aluminum	
Beam Angle	:	Spotlight, 25°	
Dimension	:	Ø49 × H30mm	
LED Source	:	NICHIA LED	
LED Specs	:	Ra ≥ 90 LM80 2,700K-5,000K R9 > 50	
Color Tolerance Adjustment	:	SDCM ≤ 3	
Luminous Flux	:	100 Lm	
Power Consumption	:	1.5W	
Material	:	Aluminum, PC	
Finish	:	Anodizing	
Bore Dimension	:	Ø45 × H35mm	
Power Supplier	:	0.5A DC, Constant Current	
		PFC : 0.71 @ 115Vac	
		Eff. : 60% @ 115Vac	
		CE Compliance	
		Noryl UL94V-0	
Note	:	Heat Sink Temp. < 70°C	



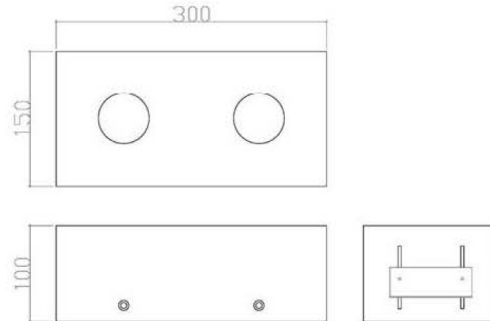
QubicCypher / QCIP-NI



Project	:	Location	:
Device Location	:		
Brand	:	<b>REXLiTE</b> ®	
Origin	:	Taiwan	
Color	:	White / Black	
Beam Angle	:	Flood	
Dimension	:	L150 × W150 × H100mm	
LED Source	:	NICHIA LED	
LED Specs	:	Ra ≥ 90 LM80 2,700K-5,000K R9 > 50	
Color Tolerance Adjustment	:	SDCM ≤ 3	
Luminous Flux	:	820 Lm	
Power Consumption	:	8.5W	
Material	:	Aluminum, PC, Iron	
Finish	:	Black Anodizing, White Coating Powder	
Bore Dimension	:	L152 × W152mm × H122mm	
Power Supplier	:	0.35A DC, Constant Current	
		PFC : 0.97 @ 115Vac	
		Effi. : 84% @ 115Vac	
		CE Compliance	
		Noryl UL94V-0	
Note	:	Heat Sink Temp. < 70°C	



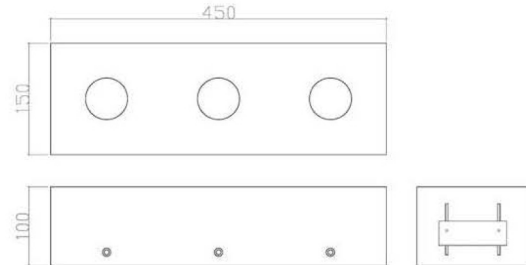
QubicCypher / QCIP-N2



Project	:	Location	:
Device Location	:		
Brand	:	<b>REXLite</b> ®	
Origin	:	Taiwan	
Color	:	Black / White	
Beam Angle	:	Flood	
Dimension	:	L 300 x W 150 x H 100mm	
LED Source	:	NICHIA LED	
LED Specs	:	Ra ≥ 90 LM80 2,700K-5,000K R9 > 50	
Color Tolerance Adjustment	:	SDCM ≤ 3	
Luminous Flux	:	1,640 Lm	
Power Consumption	:	17W	
Material	:	Aluminum, PC, Iron	
Finish	:	Black Anodizing, White Coating Powder	
Bore Dimension	:	L302 x W152 x H122mm	
Power Supplier	:	0.35A x 2 DC, Constant Current	
		PFC : 0.96 @ 115Vac	
		Effi. : 87% @ 115Vac	
		CE Compliance	
		Noryl UL94V-0	
Note	:	Heat Sink Temp. < 70°C	



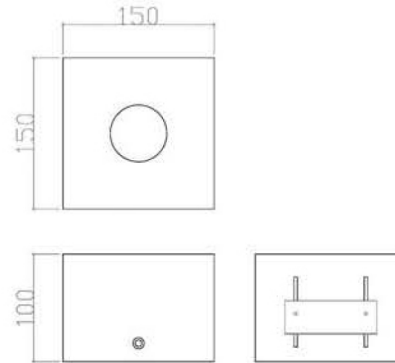
QubicCypher / QCIP-N3



Project	:	Location	:
Device Location	:		
Brand	:	<b>REXLiTE</b> ®	
Origin	:	Taiwan	
Color	:	Black / White	
Beam Angle	:	Flood	
Dimension	:	L450 × W150 × H100mm	
LED Source	:	NICHIA LED	
LED Specs	:	Ra ≥ 90 LM80 2,700K-5,000K R9 > 50	
Color Tolerance Adjustment	:	SDCM ≤ 3	
Luminous Flux	:	2,750 Lm	
Power Consumption	:	25.5W	
Material	:	Aluminum, PC, Iron	
Finish	:	Black Anodizing, White Coating Powder	
Bore Dimension	:	L452 × W152 × H122mm	
Power Supplier	:	0.35A × 3 DC, Constant Current	
		PFC : 0.98 @ 115Vac	
		Effi. : 85% @ 115Vac	
		CE Compliance	
		Noryl UL94V-0	
Note	:	Heat Sink Temp. < 70°C	



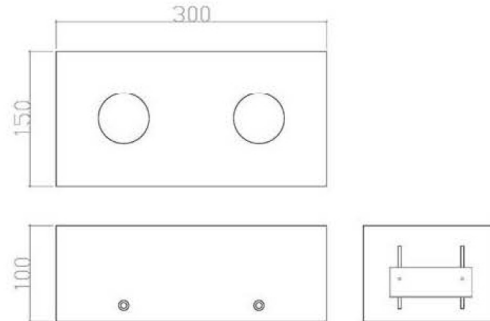
QubicArtem / QAIK-NI



Project	:	Location	:
Device Location	:		
Brand	:	<b>REXLITE</b> ®	
Origin	:	Taiwan	
Color	:	Black / White	
Beam Angle	:	Spotlight 25°	
Dimension	:	L150 x W150 x H100mm	
LED Source	:	NICHIA LED	
LED Specs	:	Ra≥90 LM80 2,700K-5,000K R9>50	
Color Tolerance Adjustment	:	SDCM≤3	
Luminous Flux	:	700 Lm	
Power Consumption	:	8.5W	
Material	:	Aluminum, PC, Iron	
Finish	:	Black Anodizing, White Coating Powder	
Bore Dimension	:	L152 x W152 x H122mm	
Power Supplier	:	0.35A DC, Constant Current	
		PFC : 0.97@115Vac	
		Eff. : 84% @115Vac	
		CE Compliance	
		Noryl UL94V-O	
Note	:	Heat Sink Temp.<70°C	



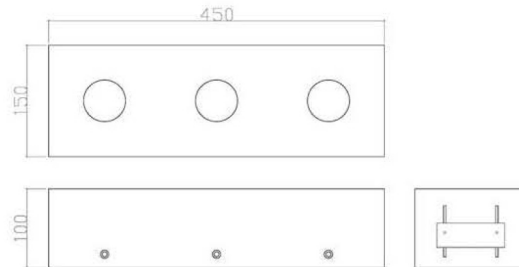
QubicArtem / QAIK-N2



Project	:	Location	:
Device Location	:		
Brand	:	<b>REXLITE</b> ®	
Origin	:	Taiwan	
Color	:	Black / White	
Beam Angle	:	Spotlight 25°	
Dimension	:	L300 x W150 x H100mm	
LED Source	:	NICHIA LED	
LED Specs	:	Ra ≥ 90 LM80 2,700K-5,000K R9 > 50	
Color Tolerance Adjustment	:	SDCM ≤ 3	
Luminous Flux	:	1,400 Lm	
Power Consumption	:	17W	
Material	:	Aluminum, PC, Iron	
Finish	:	Black Anodizing, White Coating Powder	
Bore Dimension	:	L302 x W152 x H122mm	
Power Supplier	:	0.35A x 2 DC, Constant Current	
		PFC : 0.96@115Vac	
		Eff. : 87% @115Vac	
		CE Compliance	
		Noryl UL94V-O	
Note	:	Heat Sink Temp. < 70°C	



QubicArtem / QAIK-N3

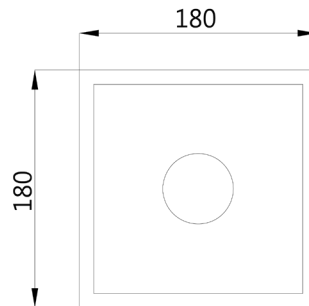


Project	:	Location	:
Device Location	:		
Brand	:	<b>REXLITE</b> ®	
Origin	:	Taiwan	
Color	:	Black / White	
Beam Angle	:	Spotlight 25°	
Dimension	:	L450 x W150 x H100mm	
LED Source	:	NICHIA LED	
LED Specs	:	Ra ≥ 90 LM80 2,700K-5,000K R9 > 50	
Color Tolerance Adjustment	:	SDCM ≤ 3	
Luminous Flux	:	2,400 Lm	
Power Consumption	:	25.5W	
Material	:	Aluminum, PC, Iron	
Finish	:	Black Anodizing, White Coating Powder	
Bore Dimension	:	L452 x W152 x H122mm	
Power Supplier	:	0.35A x 3 DC, Constant Current	
		PFC : 0.98@115Vac	
		Eff. : 85% @115Vac	
		CE Compliance	
		Noryl UL94V-0	
Note	:	Heat Sink Temp. < 70°C	

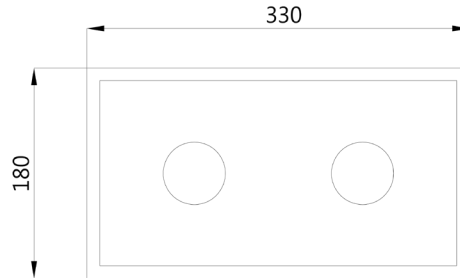




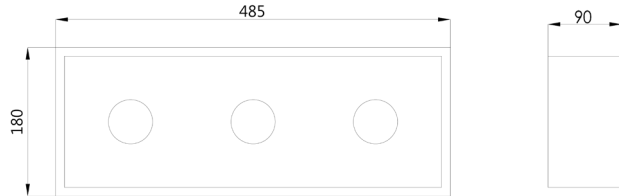
QubicArtem / QAIK-FI



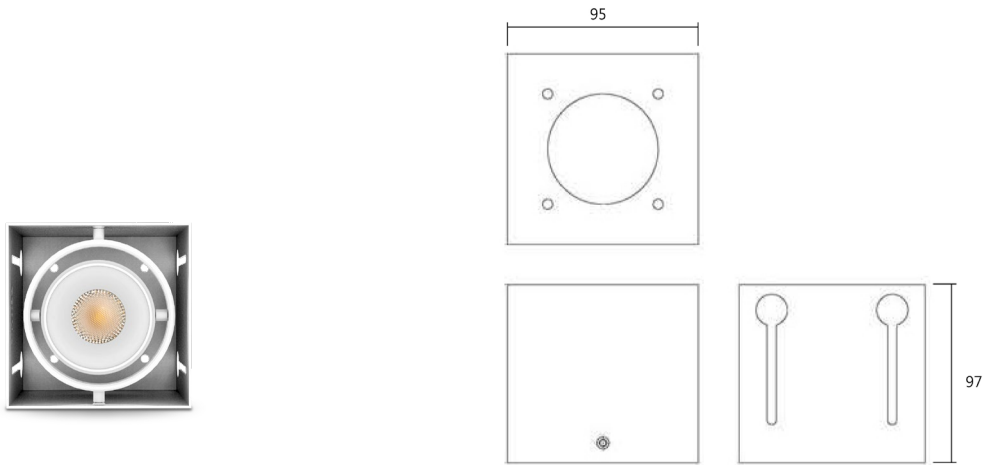
Project	:	Location	:
Device Location	:		
Brand	:	<b>REXLITE</b> ®	
Origin	:	Taiwan	
Color	:	White / Black	
Beam Angle	:	Spotlight 25°	
Dimension	:	L 180 × W 180 × H 90mm	
LED Source	:	NICHIA LED	
LED Specs	:	Ra ≥ 90 LM80 2,700K-5,000K R9 > 50	
Color Tolerance Adjustment	:	SDCM ≤ 3	
Luminous Flux	:	700 Lm	
Power Consumption	:	8.5W	
Material	:	Aluminum, PC, Iron	
Finish	:	Black Anodizing, White Coating Powder	
Bore Dimension	:	L 165 × W 165 × H 95mm	
Power Supplier	:	0.35A DC, Constant Current	
		PFC : 0.97 @ 115Vac	
		Effi. : 84% @ 115Vac	
		CE Compliance	
		Noryl UL94V-0	
Note	:	Heat Sink Temp. < 70°C	



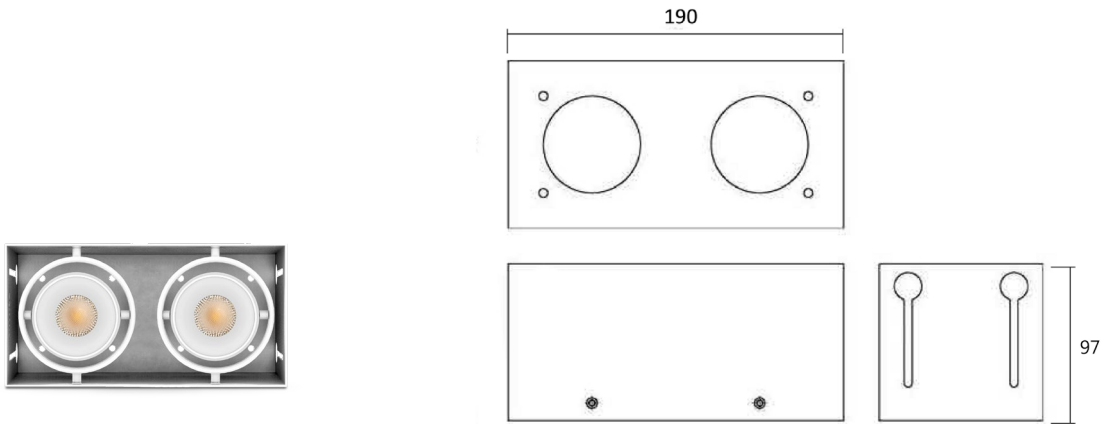
Project	:	Location	:
Device Location	:		
Brand	:	<b>REXLITE</b> ®	
Origin	:	Taiwan	
Color	:	White / Black	
Beam Angle	:	Spotlight 25°	
Dimension	:	L330 × W180 × H90mm	
LED Source	:	NICHIA LED	
LED Specs	:	Ra ≥ 90 LM80 2,700K-5,000K R9 > 50	
Color Tolerance Adjustment	:	SDCM ≤ 3	
Luminous Flux	:	1,400 Lm	
Power Consumption	:	17W	
Material	:	Aluminum, PC, Iron	
Finish	:	Black Anodizing, White Coating Powder	
Bore Dimension	:	L310 × W165mm × H95mm	
Power Supplier	:	0.35A × 2 DC, Constant Current	
		PFC : 0.96 @ 115Vac	
		Eff. : 87% @ 115Vac	
		CE Compliance	
		Noryl UL94V-0	
Note	:	Heat Sink Temp. < 70°C	



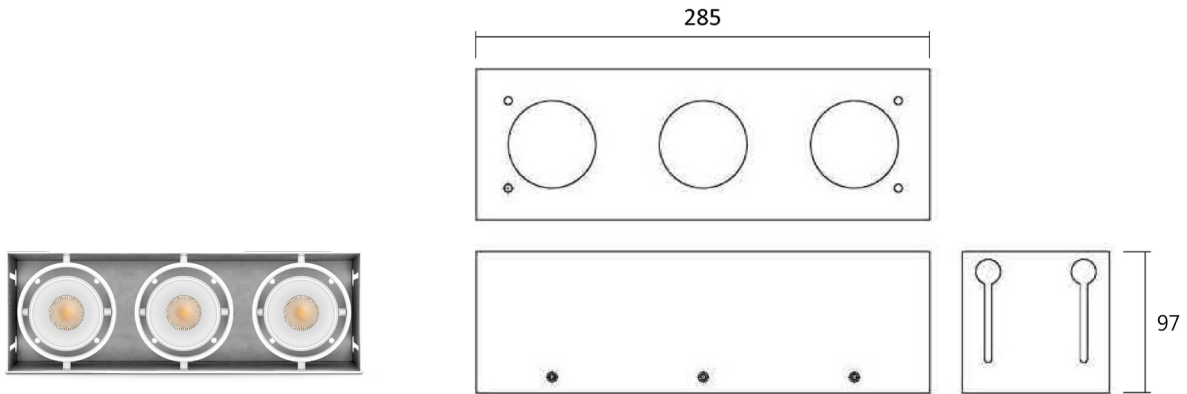
Project	:	Location	:
Device Location	:		
Brand	:	<b>REXLITE</b> ®	
Origin	:	Taiwan	
Color	:	White / Black	
Beam Angle	:	Spotlight 25°	
Dimension	:	L485 × W180 × H90mm	
LED Source	:	NICHIA LED	
LED Specs	:	Ra ≥ 90 LM80 2,700K-5,000K R9 > 50	
Color Tolerance Adjustment	:	SDCM ≤ 3	
Luminous Flux	:	2,400 Lm	
Power Consumption	:	25.5W	
Material	:	Aluminum, PC, Iron	
Finish	:	Black Anodizing, White Coating Powder	
Bore Dimension	:	L460 × W165mm × H95mm	
Power Supplier	:	0.35A × 3 DC, Constant Current	
		PFC : 0.98@115Vac	
		Effi. : 85% @115Vac	
		CE Compliance	
		Noryl UL94V-O	
Note	:	Heat Sink Temp. < 70°C	



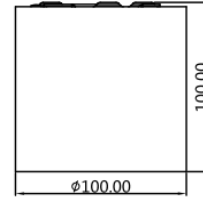
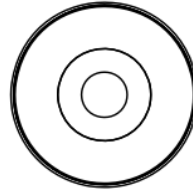
Project	:	Location	:
Device Location	:		
Brand	:	<b>REXLiTE</b> <sup>®</sup>	
Origin	:	Taiwan	
Color	:	Black / White	
Beam Angle	:	Spotlight, 10° / 24° / 38°	
Dimension	:	L95 × W97 × H90mm	
LED Source	:	NICHIA LED	
LED Specs	:	Ra ≥ 90 LM80 2,700K-5,000K R9 > 50	
Color Tolerance Adjustment	:	SDCM ≤ 2	
Luminous Flux	:	1,000 Lm	
Power Consumption	:	9W	
Material	:	Aluminum, PC, Iron	
Finish	:	Black Anodizing, White Coating Powder	
Bore Dimension	:	L97 × W97 × H95mm	
Power Supplier	:	0.25A 36V DC Constant Current	
		Effi. : 86% @230Vac	
		CE Compliance	
		Noryl UL94V-0	
Note	:	Heat Sink Temp. < 70°C	



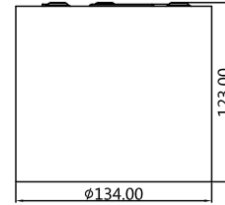
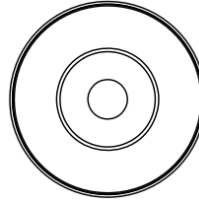
Project	:	Location	:
Device Location	:		
Brand	:	<b>REXLiTE</b> <sup>®</sup>	
Origin	:	Taiwan	
Color	:	Black / White	
Beam Angle	:	Spotlight, 10° / 24° / 38°	
Dimension	:	L190 × W97 × H95mm	
LED Source	:	NICHIA LED	
LED Specs	:	Ra ≥ 90 LM80 2,700K-5,000K R9 > 50	
Color Tolerance Adjustment	:	SDCM ≤ 2	
Luminous Flux	:	2,000 Lm	
Power Consumption	:	18W	
Material	:	Aluminum, PC, Iron	
Finish	:	Black Anodizing, White Coating Powder	
Bore Dimension	:	L192 × W97 × H95mm	
Power Supplier	:	0.25A 36V × 2 DC Constant Current	
		Effi. : 86% @230Vac	
		CE Compliance	
		Noryl UL94V-0	
Note	:	Heat Sink Temp. < 70°C	



Project	:	Location	:
Device Location	:		
Brand	:	<b>REXLiTE</b> <sup>®</sup>	
Origin	:	Taiwan	
Color	:	Black / White	
Beam Angle	:	Spotlight, 10° / 24° / 38°	
Dimension	:	L285 × W97 × H90mm	
LED Source	:	NICHIA LED	
LED Specs	:	Ra ≥ 90 LM80 2,700K-5,000K R9 > 50	
Color Tolerance Adjustment	:	SDCM ≤ 2	
Luminous Flux	:	3,000 Lm	
Power Consumption	:	27W	
Material	:	Aluminum, PC, Iron	
Finish	:	Black Anodizing, White Coating Powder	
Bore Dimension	:	L287 × W97 × H95mm	
Power Supplier	:	0.25A 36V × 3 DC Constant Current	
		Effi. : 86% @230Vac	
		CE Compliance	
		Noryl UL94V-0	
Note	:	Heat Sink Temp. < 70°C	

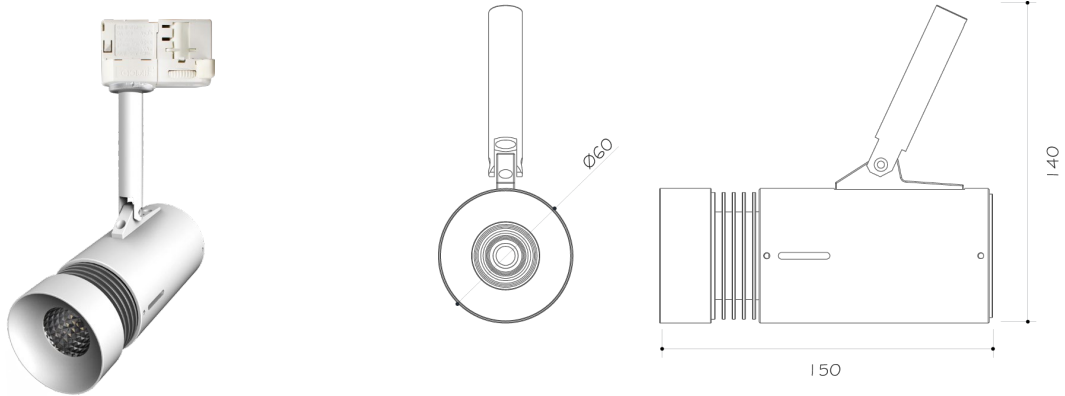


Project	:	Location	:
Device Location	:		
Brand	:	<b>REXLITE</b> ®	
Origin	:	Taiwan	
Color	:	White / Black	
Beam Angle	:	24°	
Dimension	:	Ø 100 × H100 mm	
LED Source	:		
LED Specs	:	Ra ≥ 90 3,000K / 4,000k	
Color Tolerance Adjustment	:	SDCM ≤ 3	
Luminous Flux	:	650 Lm	
Power Consumption	:	9W	
Material	:	Aluminum, PC	
Finish	:	Anodizing, White Coating Powder	
Power Supplier	:	0.25A DC Constant Current	
		PFC : 0.97 @ 115Vac	
		Effi. : 84% @ 115Vac	
		CE Compliance	
		Noryl UL94V-O	
Note	:	Heat Sink Temp. < 70°C	

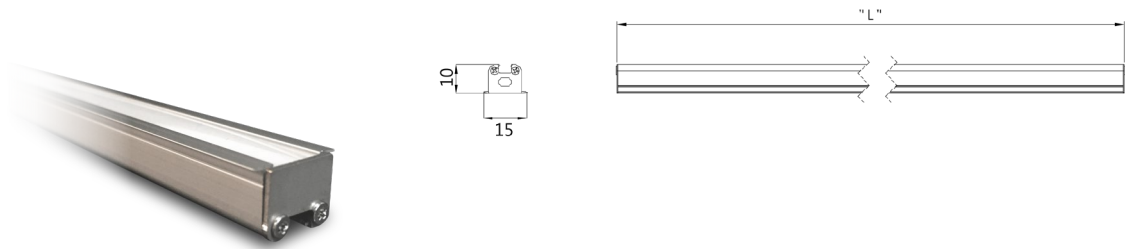


Project	:		Location	:	
Device Location	:				
Brand	:	<b>REXLITE</b> ®			
Origin	:	Taiwan			
Color	:	White / Black			
Beam Angle	:	24°			
Dimension	:	Ø 134 × H 123 mm			
LED Source	:				
LED Specs	:	Ra ≥ 90 3,000K / 4,000K			
Color Tolerance Adjustment	:	SDCM ≤ 3			
Luminous Flux	:	1 200 Lm			
Power Consumption	:	16W			
Material	:	Aluminum, PC			
Finish	:	Anodizing, White Coating Powder			
Power Supplier	:	0.45A DC Constant Current			
		PFC : 0.97 @ 115Vac			
		Effi. : 84% @ 115Vac			
		CE Compliance			
		Noryl UL94V-0			
Note	:	Heat Sink Temp. < 70°C			

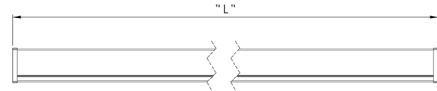
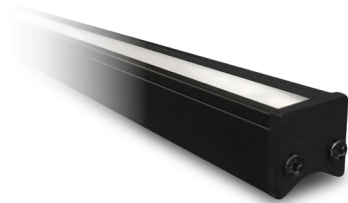




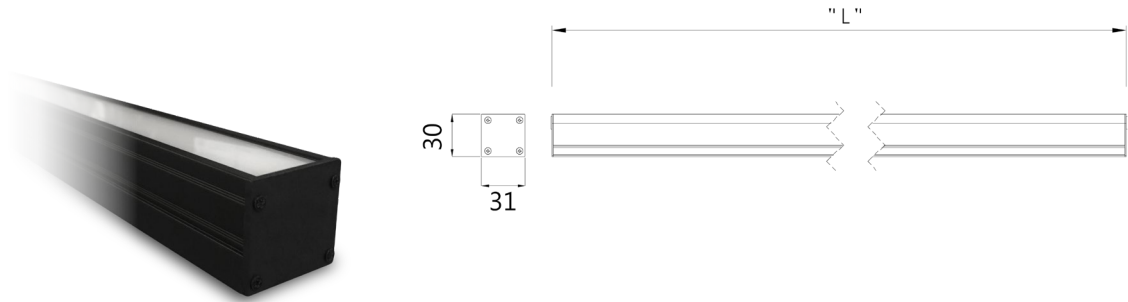
Project	:		Location	:	
Device Location	:				
Brand	:	<b>REXLiTE®</b>			
Origin	:	Taiwan			
Color	:	Black / White			
Beam Angle	:	Spotlight, 10° / 24° / 38°			
Dimension	:	Ø60 x W185 x H150mm			
LED Source	:	NICHIA LED			
LED Specs	:	Ra≥90 LM80 2,700K-5,000K R9>50			
Color Tolerance Adjustment	:	SDCM≤2			
Luminous Flux	:	1,000 Lm			
Power Consumption	:	9W			
Material	:	Aluminum, PC			
Finish	:	Black Anodizing, White Powder Coating			
Power Supplier	:	0.25A 36V DC Constant Current			
		Effi. : 86% @ 230Vac			
		CE Compliance			
		Noryl UL94V-0			
Note	:	Heat Sink Temp.<70°C			
Track Adapter	:	2 Wire			
		4 Wire Finland - GLOBAL Pro			
		6 Wire Finland - GLOBAL Plus (Dimming)			



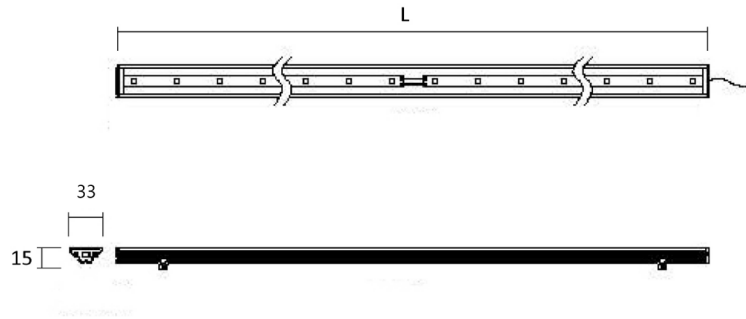
Project	:	Location	:
Device Location	:		
Brand	:	<b>REXLiTE</b> <sup>®</sup>	
Origin	:	Taiwan	
Color	:	Black / Aluminum	
Beam Angle	:	Linear Light, Flood, Embedded	
Dimension	:	L 507 × W15 × H10 mm	
		L1,007 × W15 × H10 mm	
		L1,507 × W15 × H10 mm	
		L2,007 × W15 × H10 mm	
LED Source	:	NICHIA LED	
LED Specs	:	Ra ≥ 90 LM80 2,700K-5,000K R9 > 50	
Color Tolerance Adjustment	:	SDCM ≤ 3	
Luminous Flux	:	400 Lm / 800 Lm / 1,200 Lm / 1,600 Lm	
Power Consumption	:	3.5W / 7W / 10.5W / 14W	
Material	:	Aluminum, PC	
Finish	:	Anodizing	
Bore Dimension	:	L × W   1.8 × H > 18 mm	
Power Supplier	:	0.15A / 0.35A / 0.7A / 1.4A Constant Current	
		External power supply	
		CE Compliance	
		Noryl UL94V-0	
Note	:	Heat Sink Temp. < 65°C	



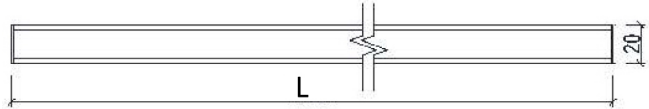
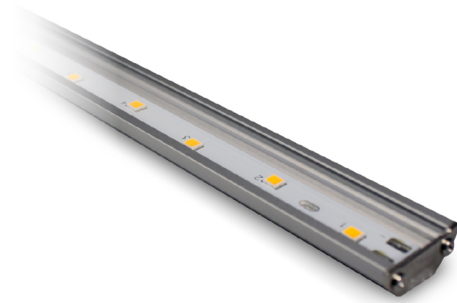
Project	:	Location	:
Device Location	:		
Brand	:	<b>REXLiTE</b> <sup>®</sup>	
Origin	:	Taiwan	
Color	:	Black / Aluminum	
Beam Angle	:	Linear Light, Flood, Embedded / Suspension	
Dimension	:	L 509 x W13.5 x H14.2 mm	
		L1,009 x W13.5 x H14.2 mm	
		L1,509 x W13.5 x H14.2 mm	
		L2,009 x W13.5 x H14.2 mm	
LED Source	:	NICHIA LED	
LED Specs	:	Ra $\geq$ 90 LM80 2,700K-5,000K R9>50	
Color Tolerance Adjustment	:	SDCM $\leq$ 3	
Luminous Flux	:	400 Lm / 800 Lm / 1,200 Lm / 1,600 Lm	
Power Consumption	:	3.5W / 7W / 10.5W / 14W	
Material	:	Aluminum, PC	
Finish	:	Anodizing	
Bore Dimension	:	L x W13.5 x H>23 mm	
Power Supplier	:	0.35A / 0.7A / 1.05A / 1.2A Constant Current	
		External power supply	
		CE Compliance	
		Noryl UL94V-0	
Note	:	Heat Sink Temp.<65°C	



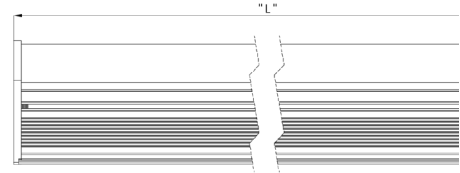
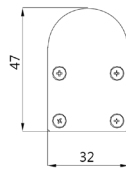
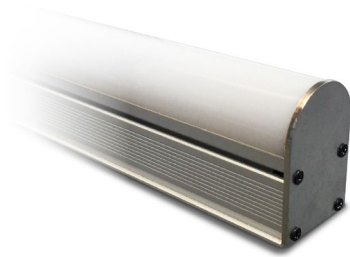
Project	:	Location	:
Device Location	:		
Brand	:	<b>REXLite</b> <sup>®</sup>	
Origin	:	Taiwan	
Color	:	Black / Aluminum	
Beam Angle	:	Linear Light, Flood, Embedded / Suspension	
Dimension	:	L 509 × W31 × H30 mm	
		L1,009 × W31 × H30 mm	
		L1,509 × W31 × H30 mm	
		L2,009 × W31 × H30 mm	
LED Source	:	NICHIA LED	
LED Specs	:	Ra ≥ 90 LM80 2,700K-5,000K R9 > 50	
Color Tolerance Adjustment	:	SDCM ≤ 3	
Luminous Flux	:	800 Lm / 1,600 Lm / 2,400 Lm / 3,200 Lm	
Power Consumption	:	7W / 14W / 21W / 28W	
Material	:	Aluminum, PC	
Finish	:	Anodizing	
Bore Dimension	:	L × W31 × H > 38 mm	
Power Supplier	:	0.7A / 1.4A / 2.1A / 2.4A Constant Current	
		External power supply	
		CE Compliance	
		Noryl UL94V-0	
Note	:	Heat Sink Temp. < 65°C	



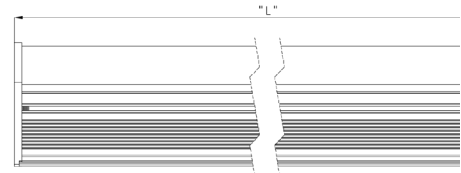
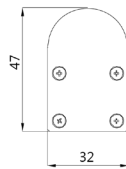
Project	:		Location	:	
Device Location	:				
Brand	:	<b>REXLite</b> <sup>®</sup>			
Origin	:	Taiwan			
Color	:	Champagne			
Beam Angle	:	Linear Light, 120°			
Dimension	:	L 295 × W33 × H15mm			
		L 595 × W33 × H15mm			
		L 895 × W33 × H15mm			
		L 1,195 × W33 × H15mm			
LED Source	:	NICHIA LED			
LED Specs	:	Ra ≥ 90 LM80 2,700K-5,000K R9 > 50			
Color Tolerance Adjustment	:	SDCM ≤ 3			
Luminous Flux	:	710 Lm / 1,420 Lm / 2,130 Lm / 2,840 Lm			
Power Consumption	:	7W / 14W / 21W / 28W			
Material	:	Aluminum, PC			
Finish	:	Anodizing			
Power Supplier	:	0.35A / 0.52A / 0.7A / 1.4A DC Constant Current			
		PFC : 0.97 @ 115Vac			
		Effi. : 84% @ 115Vac			
		CE Compliance			
		Noryl UL94V-0			
Note	:	Heat Sink Temp. < 65°C			
		With Clips to fix on Ceiling or Wall			



Project	:	Location	:
Device Location	:		
Brand	:	<b>REXLiTE</b> ®	<b>Qubic</b> ®
Origin	:	Taiwan	
Color	:	Frosted Aluminum	
Beam Angle	:	Linear Light, 120°	
Dimension	:	L 285 × W20 × H8mm	
		L 585 × W20 × H8mm	
		L 870 × W20 × H8mm	
		L 1,160 × W20 × H8mm	
LED Source	:	NICHIA LED	
LED Specs	:	Ra ≥ 90 LM80 2,700K-5,000K R9 > 50	
Color Tolerance Adjustment	:	SDCM ≤ 3	
Luminous Flux	:	350 Lm / 700 Lm / 1,050 Lm / 1,750 Lm	
Power Consumption	:	3.5W / 7W / 10.5W / 14W	
Material	:	Aluminum, PC	
Finish	:	Anodizing	
Power Supplier	:	0.15A / 0.35A / 0.52A / 0.7A DC, Constant Current	
		PFC : 0.75 @ 115Vac	
		Effi. : 80% @ 115Vac	
		CE Compliance	
		Noryl UL94V-0	
Note	:	Heat Sink Temp < 70°C	
		With Clips to fix on Ceiling or Wall	

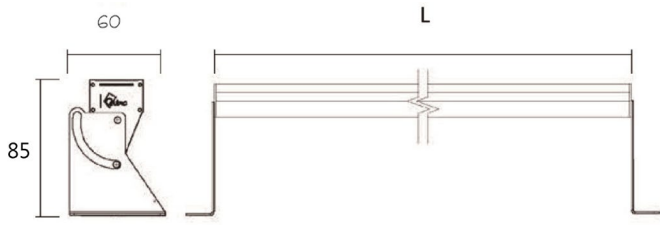


Project	:	Location	:
Device Location	:		
Brand	:	<b>REXLiTE</b> <sup>®</sup>	
Origin	:	Taiwan	
Color	:	Black / Aluminum	
Beam Angle	:	Linear Flood Light	
Dimension	:	L 300 × W32 × H47 mm	
		L 500 × W32 × H47 mm	
		L 1,000 × W32 × H47 mm	
		L 1,500 × W32 × H47 mm	
LED Source	:	NICHIA LED, RGB in one	
LED Specs	:	R: 850 mcd / 550 nm~670 nm @ 20mA	
		G: 2,000 mcd / 430 nm~640 nm @ 20mA	
		B: 400 mcd / 400 nm~570 nm @ 20mA	
Power Consumption	:	14W / 23W / 46W / 68W	
Material	:	Aluminum, PC	
Finish	:	Anodizing	
Power Supplier	:	12V DC Constant Voltage	
		External power supply	
Note	:	Heat Sink Temp. <70°C	
		IP68	
		DMX Control	

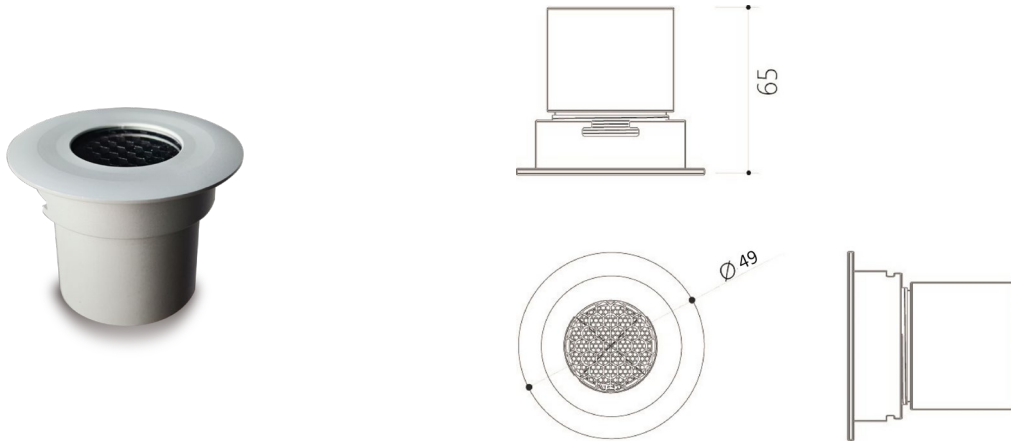


Project	:	Location	:
Device Location	:		
Brand	:	<b>REXLite</b> <sup>®</sup>	
Origin	:	Taiwan	
Color	:	Black / Aluminum	
Beam Angle	:	Linear Flood Light	
Dimension	:	L 300 × W32 × H47 mm	
		L 500 × W32 × H47 mm	
		L 1,000 × W32 × H47 mm	
		L 1,500 × W32 × H47 mm	
LED Source	:	NICHIA LED	
LED Specs	:	Ra ≥ 90 LM80 2,700K-5,000K R9 > 50	
Color Tolerance Adjustment	:	SDCM ≤ 3	
Luminous Flux	:	300 Lm / 500 Lm / 1,000 Lm / 1,500 Lm	
Power Consumption	:	5W / 8W / 16W / 24W	
Material	:	Aluminum, PC	
Finish	:	Anodizing	
Power Supplier	:	12V DC Constant Voltage	
		External power supply	
Note	:	Heat Sink Temp. < 70°C	
		IP68	
		DMX Control	

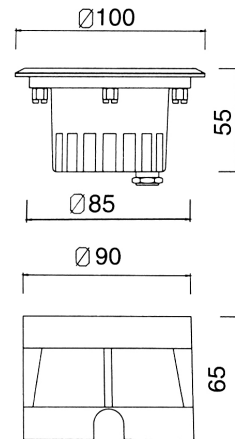





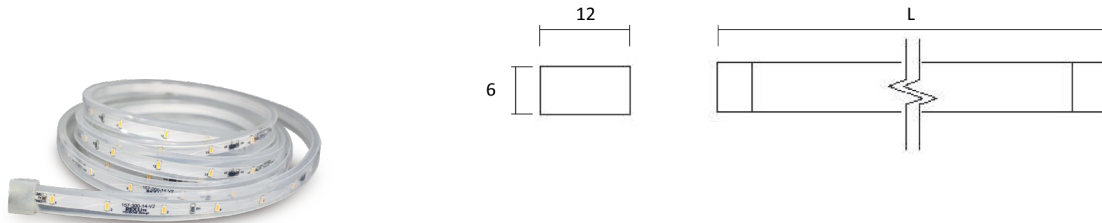
Project	:		Location	:	
Device Location	:				
Brand	:	<b>REXLite</b> <sup>®</sup>			
Origin	:	Taiwan			
Color	:	Aluminum			
Beam Angle	:	Outdoor Spotlight, 25° / 40° / 80° / Wall wash			
Dimension	:	L 295 × W60 × H85mm			
		L 595 × W60 × H85mm			
		L 895 × W60 × H85mm			
		L 1,185 × W60 × H85mm			
LED Source	:	NICHIA LED			
LED Specs	:	Ra ≥ 90 LM80 2,700K-5,000K R9 > 50			
Color Tolerance Adjustment	:	SDCM ≤ 3			
Luminous Flux	:	585Lm / 1,170 Lm / 1,755Lm / 2,340 Lm			
Power Consumption	:	7W / 14W / 21W / 28W			
Material	:	Aluminum, PC, Stainless Steel			
Finish	:	Anodizing			
Power Supplier	:	0.35A / 0.52A / 0.7A / 1.4A DC, Constant Current			
		PFC : 0.97 @ 115Vac			
		Effi. : 84% @ 115Vac			
		External power supply			
		CE Compliance			
		Noryl UL94V-0			
Note	:	Heat Sink Temp. < 65°C			
		IP68			



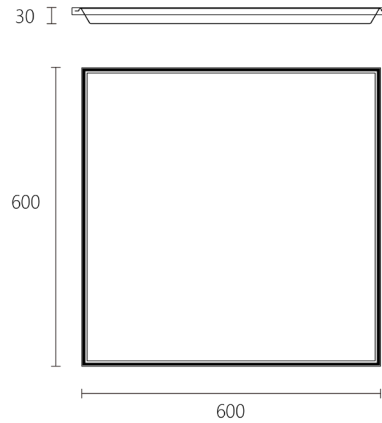
Project	:	Location	:
Device Location	:		
Brand	:	<b>REXLiTE</b> <sup>®</sup>	
Origin	:	Taiwan	
Color	:	Black / Aluminum	
Beam Angle	:	Spotlight, 25°	
Dimension	:	Ø49 × H65mm	
LED Source	:	NICHIA LED	
LED Specs	:	Ra ≥ 90 LM80 2,700K-5,000K R9 > 50	
Color Tolerance Adjustment	:	SDCM ≤ 3	
Luminous Flux	:	100 Lm	
Power Consumption	:	1.5W	
Material	:	Aluminum, PC, Honeycomb	
Finish	:	Black / Aluminum Anodizing, White Coating Powder	
Bore Dimension	:	Ø45 × H75mm	
Power Supplier	:	0.5A DC, Constant Current	
		PFC : 0.71 @ 115Vac	
		Effi. : 60% @ 115Vac	
		CE Compliance	
		Noryl UL94V-0	
Note	:	Heat Sink Temp. < 60°C	
		IP68	



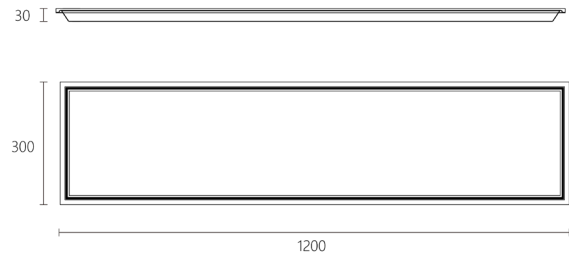
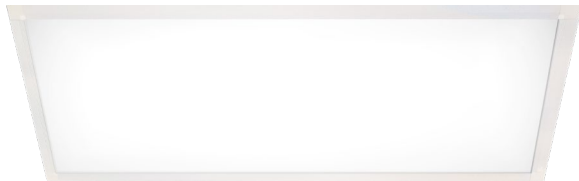
Project	:	Location	:
Device Location	:		
Brand	:	<b>REXLite</b> ®	
Origin	:	Taiwan	
Color	:	Stainless Steel	
Beam Angle	:	Flood Ground Light	
Dimension	:	Ø100 x H70mm	
LED Source	:	NICHIA LED	
LED Specs	:	Ra≥90 LM80 2,700K-5,000K R9>50	
Luminous Flux	:	100 Lm	
Power Consumption	:	1.5W	
Material	:	Glass, Stainless Steel	
Finish	:	Stainless Steel	
Bore Dimension	:	Ø90 x H75mm	
Power Supplier	:	0.5A, 12V DC	
		PFC : 0.71 @ 115Vac	
		Effi. : 60% @ 115Vac	
		CE Compliance	
		Noryl UL94V-0	
Note	:	Heat Sink Temp. <60°C	
		IP68	



Project	:	Location	:
Device Location	:		
Brand	:	<b>REXLite</b> <sup>®</sup>	
Origin	:	Taiwan	
Color	:	Transparent	
Beam Angle	:	Soft Strip Light, 120°	
Dimension	:	L x W 12 x H 6mm	
LED Source	:	NICHIA LED, Mono color	
LED Specs	:	Ra $\geq$ 90 LM80 2,700K-5,000K / Color R9 $>$ 50	
Color Tolerance Adjustment	:	SDCM $\leq$ 3	
Luminous Flux	:	450 Lm	
Power Consumption	:	5W / M	
Material	:	Silicone Tube	
Power Supplier	:	24V DC, Constant Voltage External power supply	
		EFFICIENCY (Typ.)	
Note	:	Surface Temp. <45°C IP68	



Project	:	Location	:
Device Location	:		
Brand	:	<b>REXLite</b> ®	
Origin	:	Taiwan	
Color	:	White	
Beam Angle	:	Flood	
Dimension	:	L600 × W600 mm	
LED Source	:	NICHIA LED	
LED Specs	:	Ra ≥ 90 LM80 2,700K-5,000K R9 > 50	
Color Tolerance Adjustment	:	SDCM ≤ 3	
Luminous Flux	:	3,000 Lm	
Power Consumption	:	33W	
Material	:	Aluminum, PC	
Finish	:	White Coating Powder	
Bore Dimension	:	L585mm × W585mm	
Power Supplier	:	1.05AC	
		PFC : 0.68 @ 115Vac	
		Effi. : 87% @ 115Vac	
		CE Compliance	
		Noryl UL94V-0	
Note	:	Heat Sink Temp. < 60°C	

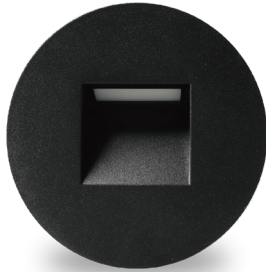



Project	:	Location	:
Device Location	:		

Brand	:	<b>REXLite</b> ® 
Origin	:	Taiwan
Color	:	White
Beam Angle	:	Flood
Dimension	:	L1200 x W300 mm
LED Source	:	NICHIA LED
LED Specs	:	Ra ≥ 90 LM80 2,700K-5,000K R9 > 50
Color Tolerance Adjustment	:	SDCM ≤ 3
Luminous Flux	:	3,000 Lm
Power Consumption	:	33W
Material	:	Aluminum, PC
Finish	:	White Coating Powder
Bore Dimension	:	L285mm x W1185mm
Power Supplier	:	1.05AC
		PFC : 0.68@115Vac
		Effi. : 87% @115Vac
		CE Compliance
		Noryl UL94V-O
Note	:	Heat Sink Temp. < 60°C



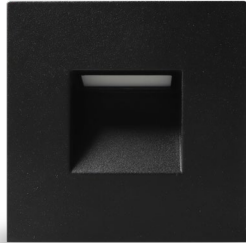
QubicNox / QN4R




Project	:		Location	:
Device Location	:			
Brand	:	<b>REXLiTE</b> <sup>®</sup>		
Origin	:	Taiwan		
Color	:	Black		
Beam Angle	:	Flood		
Dimension	:	Ø95 × H33mm		
LED Source	:	Seoul		
LED Specs	:	Ra ≥ 80 , 2700K / 3000K / 4000K		
Color Tolerance Adjustment	:	SDCM ≤ 3		
Luminous Flux	:	70 Lm / 80 Lm / 95 Lm		
Power Consumption	:	4W		
Material	:	Aluminum, PC		
Finish	:	Anodizing		
Bore Dimension	:	L60 × W48 × D>35 mm		
Power Supplier	:			
Note	:			



QubicNox / QN45



Project	:		Location	:	
Device Location	:				
Brand	:	<b>REXLiTE</b>			
Origin	:	Taiwan			
Color	:	Black			
Beam Angle	:	Flood			
Dimension	:	85 × 85 × H33mm			
LED Source	:	Seoul			
LED Specs	:	Ra ≥ 80 , 2700K / 3000K / 4000K			
Color Tolerance Adjustment	:	SDCM ≤ 3			
Luminous Flux	:	70 Lm / 80 Lm / 95 Lm			
Power Consumption	:	4W			
Material	:	Aluminum, PC			
Finish	:	Anodizing			
Bore Dimension	:	L60 × W48 × D>35 mm			
Power Supplier	:				
Note	:				