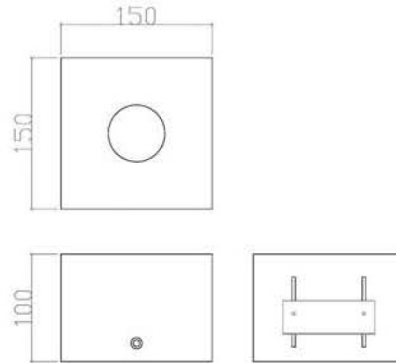




QubicCypher / QCIP-NI



Project	:		Location	:	
Device Location	:				
Brand	:	REXLiTE			
Origin	:	Taiwan			
Color	:	White / Black			
Beam Angle	:	Flood			
Dimension	:	L150 × W150 × H100mm			
LED Source	:	NICHIA LED			
LED Specs	:	Ra ≥ 90 LM80 2,700K-5,000K R9 > 50			
Color Tolerance Adjustment	:	SDCM ≤ 3			
Luminous Flux	:	820 Lm			
Power Consumption	:	8.5W			
Material	:	Aluminum, PC, Iron			
Finish	:	Black Anodizing, White Coating Powder			
Bore Dimension	:	L152 × W152mm × H122mm			
Power Supplier	:	0.35A DC, Constant Current			
		PFC : 0.97 @ 115Vac			
		Effi. : 84% @ 115Vac			
		CE Compliance			
		Noryl UL94V-0			
Note	:	Heat Sink Temp. < 70°C			